

SecVisor: A Tiny Hypervisor to Provide Lifetime Kernel Code Integrity for Commodity OSES*

Arvind Seshadri
CyLab/CMU
Pittsburgh, PA, USA
arvind@cs.cmu.edu

Mark Luk
CyLab/CMU
Pittsburgh, PA, USA
mluk@ece.cmu.edu

Ning Qu
CyLab/CMU
Pittsburgh, PA, USA
quning@cmu.edu

Adrian Perrig
CyLab/CMU
Pittsburgh, PA, USA
perrig@cmu.edu

ABSTRACT

We propose SecVisor, a tiny hypervisor that ensures code integrity for commodity OS kernels. In particular, SecVisor ensures that only approved code can execute in kernel mode over the entire system lifetime. This protects the kernel against code injection attacks, such as kernel rootkits. SecVisor can achieve this property even against an attacker who controls everything but the CPU, the memory controller, and system memory. Further, SecVisor the attacker could have the knowledge of zero-day kernel exploits.

Our design goals for SecVisor are small code size, small external interface, and ease of porting OS kernels. We rely on memory virtualization to build SecVisor and implement two versions, one using software memory virtualization and the other using CPU-supported memory virtualization. The code sizes of the runtime portions of these versions measure 1739 and 1112 lines, respectively. The size of the external interface for both versions of SecVisor is 2 hypercalls. We also port the Linux kernel version 2.6.20 to execute on SecVisor. This requires us to add 12 lines of code to the kernel and delete 81 lines, out of a total of approximately 4.3 million lines of code.

Categories and Subject Descriptors: Software, Operating Systems, Security and Protection, Security Kernels.

General Terms: Security.

Keywords: Hypervisor, Code Attestation, Code Integrity, Preventing Code Injection Attacks, Memory Virtualization.

*This research was supported in part by CyLab at Carnegie Mellon under grant DAAD19-02-1-0389 from the Army Research Office, and grant CCF-0424422 from the National Science Foundation, and equipment donations from AMD and KDDI. Arvind Seshadri's attendance at SOSP 2007 is supported by a student travel scholarship from the National Science Foundation. The views and conclusions contained here are those of the authors and should not be interpreted as necessarily representing the official policies or endorsements, either express or implied, of AMD, ARO, CMU, KDDI, NSF, or the U.S. Government or any of its agencies.

Permission to make digital or hard copies of all or part of this work for personal or classroom use is granted without fee provided that copies are not made or distributed for profit or commercial advantage and that copies bear this notice and the full citation on the first page. To copy otherwise, to republish, to post on servers or to redistribute to lists, requires prior specific permission and/or a fee.

SOSP'07, October 14–17, 2007, Stevenson, Washington, USA.
Copyright 2007 ACM 978-1-59593-591-5/07/0010 ...\$5.00.

1. INTRODUCTION

Computing platforms are encompassing an ever-growing range of applications, supporting an ever-growing range of hardware, and providing tremendous functionality. Consequently, the complexity of OS kernels is steadily increasing, resulting in kernel code sizes of 4.3 million lines of code for Linux 2.6 and 40 million lines of code for Windows XP [25].

The increased complexity of OS kernels unfortunately also increases the number of security vulnerabilities. This is compounded by the fact that, despite many efforts to make OS kernels modular, most kernels in common use today are monolithic in their design. A compromise of any part of a monolithic kernel can potentially compromise the entire kernel. Since the kernel occupies a privileged position in the software stack of a computer system, compromising it gives an attacker complete control over the system.

In view of the importance of the security of the kernel to the security of a system, securing currently existing kernels is of critical importance. In other words, it is preferable to propose approaches that do not mandate large-scale design changes to existing kernels or call for building new ones. In this paper, we take a first step in that direction, by describing SecVisor, which prevents an adversary from either modifying existing code in a kernel or executing injected code with kernel privilege, over the lifetime of the computer system. In other words, SecVisor provides a lifetime guarantee of the integrity of the code executing with kernel privilege. We can achieve this guarantee even in the presence of an attacker with complete control over the computer system except the CPU, memory controller, and system memory.

SecVisor uses hardware memory protections to ensure that only code approved by it can execute with kernel privilege. It further ensures that the approved code currently in memory cannot be modified by any entity other than itself. SecVisor provides the user the flexibility of supplying their desired approval policy.

SecVisor prevents numerous attacks against current kernels. For example, there are at least three ways in which an attacker can inject code into a kernel. First, the attacker can misuse the modularization support that is part of many current kernels. Modularization support allows privileged users to add code to the running kernel. An attacker can employ a privilege escalation attack to attain sufficient privileges to load a module into the kernel. Second, the attacker can locally or remotely exploit software vulnerabilities in the kernel code. For example, the attacker can inject code by exploiting a kernel-level buffer overrun. The NIST National Vulnerability Database shows that the Linux Kernel and Windows XP SP2 were found to have 81 and 31 such vulnerabilities, respectively, in the year 2006. Third, DMA-capable peripheral devices can corrupt kernel memory via DMA writes. A sample attack that uses Firewire peripherals was demonstrated by Becher et al. [3].

SecVisor is a tiny hypervisor that virtualizes the physical memory. This allows it to set CPU-based memory protections over kernel memory, that are independent of any protections set by the kernel. SecVisor uses the IO Memory Management Unit (IOMMU) to protect approved code from Direct Memory Access (DMA) writes. Also, SecVisor virtualizes the CPU's Memory Management Unit (MMU) and the IOMMU ensuring that it can intercept and check every modification to MMU and IOMMU state.

We have three design goals for SecVisor: (1) small code size to facilitate formal verification and manual audit, (2) limited external interface to reduce the attack surface, and (3) minimal kernel changes to facilitate porting commodity kernels.

We have implemented SecVisor on a system with an AMD CPU, and ported the Linux kernel to SecVisor. To reduce the complexity of SecVisor, our implementation uses AMD's Secure Virtual Machine (SVM) technology to virtualize the physical memory, the MMU, and the IOMMU. Using CPU-based virtualization support does not limit the deployability of SecVisor since such support is now widely available on both Intel and AMD CPUs. We use the Device Exclusion Vector (DEV) protections of the SVM technology to protect kernel memory from DMA-writes by peripherals [1].

The rest of this paper is organized as follows. The next section discusses our assumptions and adversary model. Section 3 describes the design of SecVisor by stating the security properties required and describing how those properties can be achieved. In Section 4 we give a brief description of the x86 architecture and SVM technology. Section 5 describes how we realize SecVisor using AMD's SVM technology. We show how we port the Linux kernel to SecVisor in Section 6. We present our evaluation of SecVisor in Section 7. Section 8 discusses the limitations and future implementation directions of SecVisor. Section 9 discusses related work and Section 10 concludes.

2. ASSUMPTIONS AND THREAT MODEL

In this section we state our assumptions and describe our threat model.

2.1 Assumptions

We assume that the CPU of the computer on which SecVisor runs provides support for virtualization similar to AMD's SVM technology or Intel's LaGrande Technology (LT) [1, 10]. Also, the computer system has a single CPU and the kernel whose code segment SecVisor protects does not use self-modifying code. In Section 8 we discuss how these two assumptions could be relaxed. For the x86 architecture, the kernel executes in 32-bit mode. We also assume that SecVisor does not have any vulnerabilities. Given that the code size of SecVisor and its external interface are small, it could be possible to formally verify or manually audit SecVisor to rule out known classes of vulnerabilities.

2.2 Threat Model

We consider an attacker who controls everything in the computer system but the CPU, the memory controller, and memory. This trusted computing base (TCB) is minimal for the architecture which is used by most computing devices today: the *von Neumann architecture* (also called a *stored-program computer*) [22]. Examples of attacks the attacker can perform are: arbitrarily modify all memory contents, inject malicious code into the system firmware (also called the BIOS on x86 systems), perform malicious DMA writes to memory using peripherals, and insert malicious peripherals into the system. Also, the attacker might be aware of zero-day vulnerabilities in the kernel and application software on the system. The attacker can attempt to use these vulnerabilities to locally or re-

motely exploit the system. For the x86 architecture, we assume that the System Management Mode (SMM) handler is not malicious. In Section 8 we describe how this assumption can be relaxed.

3. SecVisor DESIGN

In this section, we discuss the design of SecVisor. We start off by describing the challenges involved. Then, we state the properties that need to be achieved in order to guarantee that only SecVisor approved code can execute in kernel mode. Finally, we describe how SecVisor uses a combination of hardware memory protections, and controlled entries and exits from kernel mode to achieve the required properties. This section presents the conceptual design of SecVisor that is independent of any CPU architecture or OS kernel. In Section 5 we describe how we realize an implementation of this conceptual design on the x86 architecture.

3.1 Challenges

We now discuss the challenges we face in designing an *enforcement agent* that provides the guarantee of kernel code integrity over the lifetime of the system, under the assumption that our Trusted Computing Base (TCB) consists of the CPU, the memory controller, and the memory. The very first question we face is: where in the software stack of the system should the enforcement agent execute? The enforcement agent needs to be isolated from the kernel so that it can guarantee kernel code integrity even in the face of attacks against the kernel. Based on our TCB assumption, we can only rely on CPU-based protections to provide this isolation. CPU-based protections are based on the notion of privilege whereby more privileged software can modify both its own protections and those of less privileged software. Therefore, the enforcement agent must execute at a higher CPU privilege level than that of the kernel. We now describe how we design and build such an enforcement agent as a tiny hypervisor called SecVisor. SecVisor uses the virtualization features built into commodity CPUs and executes at the privilege level of a Virtual Machine Monitor (VMM).

The next issue that arises is to ensure the code integrity of the kernel. SecVisor addresses this issue by ensuring that, when executing at the privilege level of the kernel (hereafter called the *kernel mode*), the CPU refuses to execute any code that is not approved by the enforcement agent. In other words, SecVisor does not prevent code from getting added to the kernel; only that the CPU will refuse to execute unauthorized code. For example, the attacker could exploit a kernel-level buffer overflow to inject code into the kernel's data segment. But the CPU will not execute the injected code since it is not approved by SecVisor. An additional requirement is that SecVisor approved code should not be modifiable by any entity on the computer system other than those in SecVisor's TCB and by SecVisor. In order to implement these requirements, SecVisor needs to inform the CPU which code is authorized for execution in kernel mode and also protect the authorized code from modifications. The CPU-based protections provide a natural way to address this. SecVisor sets the CPU-based protections over kernel memory so that only code approved by it is executable in kernel mode. The protections also ensure that the approved code can only be modified by SecVisor and its TCB.

All CPUs support at least one other privilege level (other than the kernel mode and VMM privilege level), called *user mode*, at which user programs execute. Given that a CPU will switch between user and kernel mode execution via control transfers, SecVisor needs to prevent the attacker from modifying the expected control flow of these control transfers to execute arbitrary code with kernel privilege. This requires two checks. First, SecVisor needs to ensure that the targets of all control transfers that switch the CPU to kernel

mode lie within approved code. Without this, the attacker could execute arbitrary code with kernel privilege by modifying the targets of control transfers that enter kernel mode. Second, the control transfers that exit kernel mode to enter user mode must modify the privilege level of the CPU to that of user mode. Otherwise, the attacker could execute user programs with kernel privilege.

3.2 Required Properties for Approved Code Execution

We start designing SecVisor by casting our requirements into required properties. Our first requirement is that the CPU only execute SecVisor approved code in kernel mode. Given that the CPU enters kernel mode from user mode, performs some processing in kernel mode, and exits kernel mode back to user mode, provides the following three properties:

- **P1:** Every entry into kernel mode (where an entry into kernel mode occurs at the instant the privilege of the CPU changes to kernel mode) should set the CPU's Instruction Pointer (IP) to an instruction within approved kernel code.
- **P2:** After an entry into kernel mode places the IP within approved code, the IP should continue to point to approved kernel code until the CPU exits kernel mode.
- **P3:** Every exit from kernel mode (where we define an exit from kernel mode as a control transfer that sets the IP to an address in user memory) should set the privilege level of the CPU to user mode.

Our second requirement is that the approved code should only be modifiable by SecVisor and the entities on SecVisor's TCB. Assuming that main memory can only be modified by code executing on the CPU or through Direct Memory Access (DMA) writes by peripheral devices, this requirement can be stated as:

- **P4:** Memory containing approved code should not be modifiable by any code executing on the CPU, but SecVisor, or by any peripheral device.

SecVisor uses hardware memory protections to achieve P2 and P4, as we describe next. Section 3.4 discusses how we achieve P1 by ensuring whenever the CPU transitions to kernel mode it will start executing approved code, and P3 by intercepting and checking all kernel exits.

3.3 Using Hardware Memory Protections

The Memory Management Unit (MMU) and the IO Memory Management Unit (IOMMU) of the CPU enforce hardware memory protections. Then SecVisor must control all modifications to the MMU and IOMMU state. Since SecVisor executes at the privilege level of a VMM, the most natural way to protect the MMU and IOMMU is to virtualize them. This enables SecVisor to intercept and check all modifications to MMU and IOMMU state. We use CPU-based virtualization rather than software virtualization to keep the code size of SecVisor small and to minimize changes required to port an OS to run on SecVisor.

SecVisor uses page tables as the basis of its MMU-based memory protections. We choose page tables, rather than other MMU-based protection schemes such as segmentation, because page tables are supported by a large number of CPU architectures. Using page table-based protection requires SecVisor to protect the page tables. There are two ways to achieve this. One, SecVisor can keep the page tables in its own address space and allow the kernel to read

and modify them via safe function calls. Two, SecVisor can virtualize physical memory. Virtualizing physical memory causes the addresses sent on the memory bus to be different from the physical addresses seen by the kernel. Hence, SecVisor needs to maintain page tables that translate the kernel's physical addresses to the actual physical addresses seen on the memory bus. These page tables can be kept in SecVisor's address space since the kernel is unaware of the virtualization of physical memory.

The choice of which of the above two methods to use illustrates the classic trade-off between performance on one hand and security and portability on the other. Using a function call interface is likely to be fast since there is no synchronization overhead (the kernel directly writes to the page tables). But it increases the size of SecVisor's kernel interface which creates a security risk. It also requires modifications to the kernel's page table handling code which increases the amount of effort required to port a new kernel to SecVisor. On the other hand, virtualizing physical memory is likely to be slower due to the synchronization overhead. But it is certainly better for security and ease of portability of the kernel (the kernel's page table handling need not be modified). Since our focus in this paper is on security and ease of portability we choose to virtualize physical memory. Henceforth, we will call the page table used by SecVisor to virtualize physical memory the *Protection Page Table*.

Shared address space configuration. In using the Protection Page Table to set protections over kernel memory, SecVisor has to consider how the kernel and user memories are mapped into address spaces. In most commodity OSes today, the kernel and user memories share the same address space. Such a shared address space configuration could enable an attacker to modify the control flow of the kernel to execute user code with kernel privilege. To prevent this attack, SecVisor sets the Protection Page Table so that user memory is not executable when the CPU is in kernel mode. On the other hand, it is clear that user memory has to be executable when the CPU is in user mode. Then, SecVisor has to intercept all transitions between kernel and user mode to modify the user memory execute permissions in the Protection Page Table. SecVisor uses the execute permissions themselves to intercept these transitions. It sets execute permissions in the Protection Page Table only for the memory of the mode that is currently executing. Then, all inter-mode transitions cause protection violations, which inform SecVisor of an attempted mode change via a CPU exception. Figure 1 illustrates how SecVisor manages user memory permissions.

Given that SecVisor switches execute permissions on kernel entry and exit, a natural question arises: how are the execute permissions set initially? At system startup, the kernel executes before user programs. Therefore, the SecVisor initializes the Protection Page Table so that (part of) the kernel memory is executable.

$W \oplus X$ protections. On each kernel mode transition, SecVisor sets execute permissions in the Protection Page Table to achieve property P2 by allowing only approved code to be executable. Then, the CPU will generate an exception on every attempt to execute unapproved code in kernel mode. When SecVisor receives such an exception, it terminates the OS. SecVisor also marks the approved code pages read-only in the Protection Page Table. This prevents any code executing on the CPU (except SecVisor) from modifying approved code pages, thereby satisfying part of property P4. Figure 1 shows the Protection Page Table protections over kernel memory for kernel mode execution. In kernel mode, the pages of kernel memory will be either writable or executable, but never both. This type of memory protection is called *$W \oplus X$ protection*.

DMA write protections. SecVisor uses the DMA write protection functionality of the IOMMU to protect approved code pages from

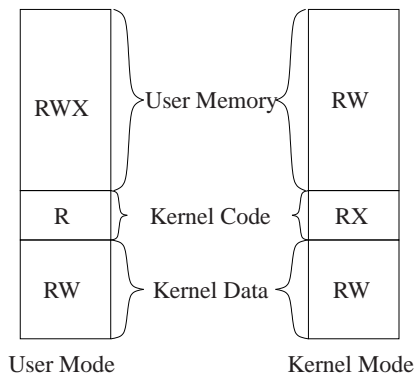


Figure 1: Memory protections in the Protection Page Table for user and kernel modes. R, W, and X stand for read, write, and execute permissions, respectively. In case the kernel’s permissions differ from those in the Protection Page Table, the actual permissions will be the more restrictive of the two. For example, it is likely that the kernel will mark its data segment to be read-only in user mode. Then, in user mode, the actual permissions over the kernel data segment would be R instead of the RW shown in the figure.

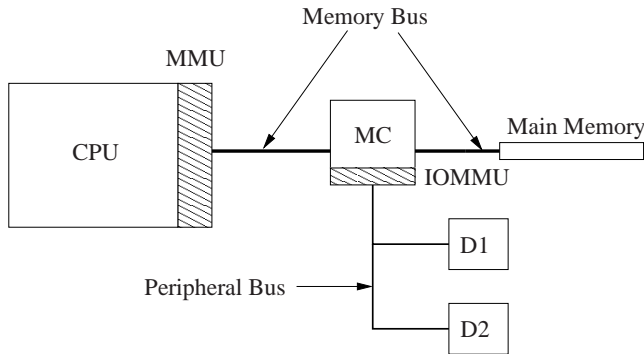


Figure 2: System-level overview of memory protections used by SecVisor. MC is the memory controller, D1 and D2 are peripheral devices. The MMU enforces memory protections for accesses from the CPU while the IOMMU enforces DMA write protections.

being modified by DMA writes. These protections along with the read-only protections set in the Protection Page Table ensure that property P4 is satisfied. Figure 2 shows a system-level overview of the different hardware memory protections used by SecVisor.

3.4 Managing Kernel Entries and Exits

We now discuss how SecVisor ensures that kernel mode entries and exits satisfy properties P1 and P3.

Kernel mode entries. SecVisor ensures that all control transfers through which the CPU enters kernel mode will set the IP to an address within the approved code. This requires SecVisor to know the target of every possible control transfer through which the CPU can enter kernel mode. The key observation that allows us to find the target of every possible control transfer to kernel mode is that CPUs only allow the kernel code to be entered via entry points designated by the kernel. This prevents user programs from triggering arbitrary control flows in kernel code by entering at arbitrary points. The kernel informs the CPU about the permitted entry

points by writing the addresses of such entry points in CPU registers and data structures like the interrupt vector table (IVT). We call them the *entry pointers*. Then, SecVisor only has to ensure that all entry pointers contain addresses of instructions within approved code to achieve property P1.

To find all the entry pointers, we need to find all the CPU data structures that can contain entry pointers. By design, every CPU architecture has a set of control transfer events that trigger CPU execution privilege changes. Each such control transfer event has an associated entry pointer in some CPU data structure. Therefore, our strategy to find all the entry pointers is to first create the exhaustive *entry list* of all control transfer events that can transfer control to kernel mode. The entry list can be created from the architecture specification of the CPU. Next, for each event in the entry list we find the corresponding CPU data structure which holds its entry pointer. In this manner, we obtain the list of all the CPU data structures which can hold the entry pointers.

SecVisor virtualizes the entry pointers and only permits the kernel to operate on the virtualized copies. This allows SecVisor to intercept and check all modifications to the entry pointers. This virtualization can be performed in two ways. SecVisor can provide the kernel with safe function calls through which the kernel can read and modify the entry pointers. The other alternative is for SecVisor to maintain shadow copies of the entry pointers for use by the CPU, and keep the shadow copies synchronized with the kernel’s entry pointers. As with virtualizing physical memory, the choice between these two alternatives is a trade-off of performance versus security and portability. We prefer the shadowing method because it reduces the size of SecVisor’s kernel interface and also reduces the number of changes required to port a kernel to SecVisor.

Kernel mode exits. All legitimate methods that exit kernel mode will transfer control to code in user memory. If on each entry to kernel mode the CPU will start executing approved code, i.e., property P1 is satisfied, it is fairly direct to ensure that exits from kernel mode will set the CPU privilege to that of user mode (property P3).

Recall from Figure 1 that SecVisor marks kernel memory non-executable in user mode. If property P1 is satisfied, all kernel mode entries will try to execute code in kernel memory, which will be intercepted by SecVisor via a CPU exception. As part of handling this exception, SecVisor will mark all user memory non-executable. Then, any exit from kernel mode will cause a protection violation leading to an exception. As part of handling this exception, SecVisor sets the privilege level of the CPU to user mode.

4. BACKGROUND

Before we present the details of SecVisor’s implementation, in this section we first give a high-level overview of the memory protection mechanisms of an x86 CPU. Then, we describe the virtualization technology, by AMD called Secure Virtual Machine (SVM) extensions, which is present in recent AMD x86 CPUs. Recent CPUs from Intel also feature virtualization support. We use the SVM extensions to virtualize the MMU, the IOMMU, and the entry pointers to implement SecVisor. Finally, we list the different x86 control transfer events that can be used to enter and exit kernel mode and the entry pointers they use. Readers who are familiar with this material may wish to skip directly to Section 5.

4.1 Overview of x86 Memory Protections

This section gives a brief overview of the two memory protection mechanisms in the x86 CPU: segmentation and paging.

Segment-based protections define four privilege levels called rings, when the CPU executes in 32-bit mode. Ring 0 is the most priv-

ileged level while Ring 3 is the least privileged. The current execution privilege level of the CPU is stored in the CPL register. The CPL register is architecturally invisible, but the VMCB has a CPL field that the host can use to indicate what privilege level the guest should execute at after a `vmrun`. Segment-based protections divide up the memory into variable size regions called segments. Each segment of memory has a descriptor associated with it. This descriptor contains various attributes of the segment such as the segment base address, the segment size, and the segment access control permissions. The descriptors are stored in two tables called the Global Descriptor Table (GDT) and the Local Descriptor Table (LDT). The CPU has two registers called the `gdt` and `ldt` that contain the addresses of the GDT and LDT, respectively.¹ Software can refer to descriptors in the GDT and LDT by storing their indices in the CPU's *segment registers*. There are six segment registers: `cs`, `ds`, `es`, `fs`, `gs`, and `ss`. Of these the `cs` segment register holds the index of the descriptor of the code segment that the CPU is currently executing from. The `ds`, `es`, `fs`, and `gs` segment registers hold indices of descriptors of data segments while the `ss` segment register holds the index of the stack segment's descriptor.

Page-based protections divide the virtual address space of the CPU into pages of fixed size. The page tables are used to set the access permissions of each page. Per-page execute permissions are supported by the CPU only when the Physical Address Extensions (PAE) paging mode is used. The CPU has a set of registers called the Control Registers which allow software to control various aspects of the MMU. In particular, the control register `cr0` has two bits called `cr0.pe` and `cr0.pg` that allow software to turn the MMU on/off, and turn paging on/off, respectively. The control register `cr3` holds the physical address of the page tables, while `cr4` has the `cr4.pae` bit which turns PAE mode on/off.

4.2 Overview of AMD's SVM extensions

SVM separates the CPU execution into two modes called guest mode and host mode. The VMM (also referred to as host) executes in host mode while all the virtual machines (VM) (also referred to as guests) execute in guest mode. The host and guest modes have separate address spaces. Software executing in both modes can execute in any of the four privilege levels that are supported by x86 CPUs. For example, under SVM, it is possible for both the guest OS and the VMM to execute at the highest CPU privilege level. Figure 3 shows one possible execution configuration of the host and guest modes when using SVM extensions.

Each guest has a data structure called the Virtual Machine Control Block (VMCB) associated with it, which contains the execution state of the guest. To execute a guest, the VMM calls the `vmrun` instruction with the VMCB as the argument. The CPU then loads the execution state of the guest from the VMCB and begins executing the guest. Once started, the CPU continues to execute the guest until an event occurs which has been intercepted by the VMM. On hitting an intercept, the CPU suspends the execution of the guest, stores the guest's execution state in the VMCB, and exits to the host. The host then executes until it resumes a guest using `vmrun`.

ASID support. SVM adds Address Space Identifier (ASID) bits to the Translation Lookaside Buffer (TLB) entries in order to allow the CPU to distinguish between the TLB entries of the different address spaces (the host and guests) that can co-exist due to virtualization. Tagging the TLB entries with the ASID eliminates the need for the host to flush the TLB when switching address spaces.

¹This is a slight simplification. The `ldt` actually stores the selector of the LDT descriptor in the GDT. The LDT descriptor in the GDT contains the LDT's base address.

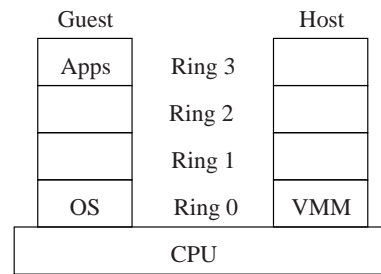


Figure 3: A VMM and one guest VM executing on a CPU with SVM extensions. Both the VMM and the guest VM have access to all four x86 CPU privilege levels. Within the guest VM, the OS executes at the highest CPU privilege level, while user applications execute at the lowest CPU privilege level.

Intercepts. Intercepts allow the host to intercept various CPU events that occur during execution in guest mode. The host indicates which events in the guest it wants to intercept by setting bits in the VMCB. Through intercepts, the host mode in SVM has a greater control of the CPU than the guest mode because the host can control what operations the guests are allowed to perform. SVM defines four kinds of intercepts: instruction intercepts, interrupt and exception intercepts, IO intercepts, and MSR intercepts. Instruction intercepts allow the host to intercept the execution of various instructions. Interrupts and exceptions delivered to the guest are intercepted by means of the interrupt and exception intercepts. SVM has a mechanism called *event injection* that allows the host to pass the intercepted interrupts and exceptions to the guest. To inject an interrupt or exception into the guest, the host fills in the event injection field of the VMCB with details of the interrupt or exception, such as the vector number.

IO intercepts are used by the host to intercept reads and writes of x86 IO ports by the guest. Finally, MSR intercepts allow the host to intercept guest reads and writes to the Model Specific Registers (MSR) within an x86 CPU. The MSRs are special configuration registers that allow software control of various aspects of the CPU such as turning on or off different CPU features.

Device Exclusion Vectors (DEV). SVM provides support for a limited IOMMU by modifying the memory controller to add DMA read and write protection support for physical memory on a per page basis. This protection is enabled through the use of Device Exclusion Vectors (DEV), which are bit vectors with one bit for each 4 Kbyte physical page. If the bit corresponding to a physical page is set to 1, the memory controller disallows any DMA reads from or DMA writes to that page.

The DEV mechanism is controlled through a set of configuration registers which are mapped to the Peripheral Component Interconnect (PCI) Configuration Space. Software can read and write registers in the PCI Configuration Space using two I/O ports called the Configuration Address Port and the Configuration Data Port. Software writes the address of the register it wants to access to the Configuration Address Port and reads or writes the register by reading or writing the Configuration Data Port.

Nested page tables (NPT). Since the host virtualizes physical memory, a guest's view of its physical address space could be different from the actual layout of the CPU's physical address space. Therefore, the host needs to translate the guest's physical addresses to the CPU's physical addresses (also called the host physical addresses). SVM provides nested page tables (NPT) for this purpose. Put another way, the NPT provide hardware-supported physical

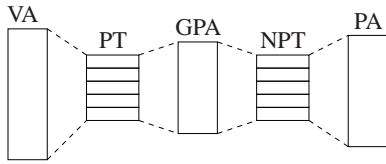


Figure 4: Operation of the nested page tables. VA is the virtual address space, PT are the kernel’s page tables, GPA is the guest’s physical address space, NPT are the nested page tables, and PA is the CPU’s physical address space.

memory virtualization. The NPT is maintained by the host; the kernel maintains its own page tables to translate virtual addresses to guest physical addresses. This two step translation from virtual to host physical addresses is illustrated in Figure 4. Note that the NPT is used only when the CPU is executing in guest mode. When executing in host mode, the CPU will use the page tables of the host since the host executes in its own address space.

Accesses to physical memory pages are subjected to permission checks in both the NPT and kernel page tables. In particular, a page is writable only if it is marked writable both in the kernel page table and in the NPT. Similarly, the contents of a page are executable only if the page is marked executable in both the kernel page tables and in the NPT. The CPU generates a Nested Page Fault exception and exits back to the host on any NPT protection violation.

The NPT mechanism also provides separate copies of the all control registers for the host and the guest, except `cr2`. In the rest of this paper, we will refer to the guest and host copies of the control registers by prefixing the name of the register with a “`guest_`” and “`host_`” respectively. For example, `guest_cr0` will refer to the guest’s copy of `cr0` when nested paging is used. The guest control registers control the MMU configuration for address translation between virtual and guest physical addresses and the host control registers control guest physical to host physical address translation.

Late launch. Late launch is a capability of SVM that allows the CPU to execute an arbitrary piece of code in isolation from all entities on the system, but the CPU, the memory controller, and the memory. A late launch can be invoked at any time during the operation of the system. If the system has a Trusted Platform Module (TPM) chip, late launch also allows an external verifier to verify that the execution of the code on the system was untampered.

4.3 Control Transfer Events on the x86

In this section, we give an overview of the control transfer events on the x86 platform that perform inter-ring switches. We also mention the CPU registers and data structures that hold the corresponding entry pointers.

An x86 CPU assumes that control transfers between rings always originate at a lower privilege ring. In other words, a lower privilege ring *calls* a higher privilege ring, which *returns* to the lower privilege ring. Then, *exit list* of events that can cause the CPU to exit kernel mode contains the *return* family of instructions of the x86: `ret`, `iret`, `sysexit`, and `sysret` [2].

The entry list consists of the hardware interrupts and the exceptions, and the instructions in the *call* family: `jmp`, `call`, `sysenter`, `int` (software interrupt), and `syscall` [2]. The entry pointers for hardware interrupts and exceptions, and software interrupts are located in the interrupt descriptor table (IDT). The CPU has a register called the `idtr` which holds the address of the IDT. We now briefly describe the remaining instructions in the entry list: the `jmp`, `call`, `sysenter`, and `syscall`.

jmp and call. The x86 architecture does not allow the `call` and `jmp` instructions to directly specify a higher privilege code segment as the target. Instead, the instruction must use a *call gate*, a *task gate*, or a *task descriptor*. The kernel is expected to set up these gates with the addresses of acceptable entry points. The CPU then ensures that the `jmp` and the `call` instructions can transfer control only to entry points permitted by the kernel. The task gates and the call gates can reside in the GDT or the LDT. Task descriptors can only reside in the GDT. Therefore, the entry pointers for the `jmp` and the `call` instructions exist in the GDT and the LDT.

sysenter and syscall. `sysenter` and `syscall` are special instructions that decrease the latency of system calls. The entry pointers for the `sysenter` and the `syscall` instructions are in MSRs.

The `sysenter` instruction uses the MSRs `msr_sysenter_cs` and `msr_sysenter_eip` for its entry pointer. When a user mode program executes the `sysenter` instruction, the CPU loads the `cs` segment register and the IP from the `msr_sysenter_cs` and `msr_sysenter_eip` respectively. The `syscall` instruction was recently introduced as replacement for `sysenter`. The use of this instruction is enabled by setting the `efer.sce` bit of the MSR `efer`. It uses the `msr_star` for its entry pointer. On the execution of the `syscall` instruction, the CPU loads `cs` and the IP with bits 47-32 and bits 31-0 of the `star` respectively.

5. IMPLEMENTATION USING AMD SVM

In this section, we discuss how we realize the SecVisor design described in Section 3 on a system that has an AMD CPU with SVM extensions. We first describe how SecVisor protects its own memory. Then we talk about physical memory virtualization in SecVisor. After that, we discuss the DEV mechanism virtualization and finally, how SecVisor handles kernel entry and exit.

5.1 Allocating and Protecting SecVisor Memory

SecVisor executes in SVM host mode. This ensures that it executes at a higher CPU privilege level than the kernel and allows it to intercept events in the guest to virtualize the MMU, the IOMMU, and physical memory. Also, using the host mode gives SecVisor its own address space, which simplifies protection of SecVisor’s memory. SecVisor ensures that its physical memory pages are never mapped into the Protection Page Table. Since the Protection Page Table is maintained by SecVisor it is simple to check that the above condition holds. Also, SecVisor protects its physical pages against DMA writes by devices.

The question of which physical pages SecVisor should allocate for its own use requires consideration. The main issue here is that of handling DMA correctly. In a system with SecVisor, all DMA transfers are set up by the kernel and use physical addresses to specify the source and destination. Since SecVisor virtualizes physical memory, the guest physical addresses which the kernel uses can be different from the host physical addresses seen on the memory bus. Therefore, guest physical addresses that the kernel uses to set up DMA transfers need to be translated to host physical addresses for DMA transfers to work correctly. The ideal solution to this problem is to use an IOMMU that will translate the guest physical addresses used by a device during DMA to host physical addresses. SecVisor only needs to ensure that the IOMMU has the correct Protection Page Table. However, SVM currently does not provide such an IOMMU facility. In the absence of hardware support, SecVisor could intercept all DMA transfer setup performed by the kernel in order to translate between guest and host physical addresses. However, intercepting DMA transfer setup is not sim-

ple. It depends heavily on the design of the kernel as it requires the kernel to call SecVisor as part of each DMA transfer setup. Hence we prefer not to use this method, given our desire to reduce the size of SecVisor’s kernel interface and minimize the changes required to port the kernel.

Instead, SecVisor circumvents the whole issue of translating addresses for DMA by making sure that the guest to host physical address mapping is an identity map. To achieve the identity mapping, SecVisor allocates its physical memory starting from the top of the installed RAM.² The kernel can use all memory from address zero to the start of SecVisor’s physical memory. SecVisor also informs the kernel of the reduced physical memory available to it by passing a command line parameter at kernel boot.

5.2 Virtualizing the MMU and Memory

We now discuss how SecVisor virtualizes the MMU and physical memory to set page-table-based memory protections. The details depend on whether we use a software or a hardware method to virtualize physical memory. The software virtualization uses shadow page tables (SPT) as the Protection Page Table, and the hardware virtualization uses the SVM NPT. Even though the NPT offers better performance, we implement SPT support in SecVisor because current x86 CPUs from AMD do not have support NPT. According to AMD, suitable CPUs should be available in Fall 2007.

Hardware memory virtualization. SVM’s nested paging facility provides a second set of page tables (the NPT) that translate guest physical addresses to host physical addresses (Figure 4). The NPT is very well suited for setting page-table-based protections both from a performance and security perspective.

First of all, the design of SVM ensures that access permissions of a physical page are the more restrictive of those in the kernel’s page tables and the NPT. Therefore, SecVisor uses the NPT to set its memory protections, without any reference to the kernel’s page tables. Then, SecVisor only needs to protect the NPT, which it accomplishes by allocating physical pages from its own memory for the NPT. Since SecVisor’s physical pages are never accessible to the guest and they are protected against DMA writes, the NPT is inaccessible to everything but SecVisor and SecVisor’s TCB.

Secondly, the nested paging facility eliminates the need for SecVisor to intercept kernel writes to the MMU state. It provides the guest and host with their own copies of the Control Registers, which control MMU state. Since SecVisor only uses the NPT to set its protections, it can allow the kernel (guest) to freely modify the guest control registers. Put another way, with nested paging, SecVisor can virtualize the MMU without intercepting kernel writes to the control registers. Also, since the contents of the NPT are completely independent from those of the kernel’s page tables there is no need for SecVisor to update the NPT when the kernel makes changes to the kernel’s page tables. Clearly, both of these result in better performance and decrease the code size of SecVisor.

The only drawback of using the NPT is that the kernel needs to pass guest physical addresses rather than virtual addresses in its requests to SecVisor to change memory permissions. However, this requirement for address translation is unlikely to be a performance bottleneck since this is not a frequent event (modification of memory permissions only needs to be done when kernel modules are loaded or unloaded). Also, passing guest physical addresses does not require any modifications to the Linux kernel since it already has functions to translate between virtual and physical addresses.

²The addresses at the top of RAM are used by the ACPI code. SecVisor allocates its space starting from just below the ACPI region.

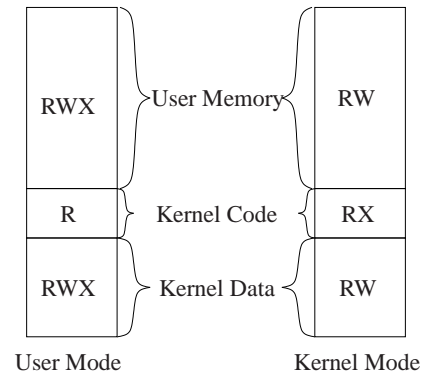


Figure 5: NPT based memory protections for user and kernel modes. R, W, and X stand for read, write, and execute permissions, respectively.

As mentioned in Section 3.3, there are two tasks that SecVisor accomplishes via page-table-based protections. One, it sets $W \oplus X$ protections over kernel memory when executing in kernel mode. Two, it modifies the execute permissions of user and kernel memory depending on whether the CPU executes in kernel or user mode. Both tasks are easily accomplished using the NPT.

To set the $W \oplus X$ protections, SecVisor maintains a list of guest physical pages that contain approved code. The kernel can request modifications to this list. Any requests to add new entries in the list must be approved by the approval policy. When executing in kernel mode, SecVisor clears the no-execute (NX) permission bit only for the NPT entries of guest physical pages in the list (Figure 5).

Modifying execute permissions over user and kernel memory requires SecVisor to know which guest physical pages contain the kernel’s data segment and which are user pages. SecVisor could maintain a list of guest physical pages that belong to the kernel’s data segment similar to that for the kernel code. However, adopting this design is likely to degrade performance since the pages frequently move between the kernel data segment and user space. Therefore, we adopt a different design.

When the CPU executes in user mode, SecVisor marks all guest physical pages except those containing approved code executable in the NPT. Note that this does not open an avenue for attacks that could execute kernel data segments in kernel mode since property P1 guarantees that all control transfers to kernel mode will set the IP to an address within approved code, and SecVisor satisfies property P1 using a different mechanism than the NPT (by ensuring that the entry pointers all point to approved code). Note that SecVisor still makes the approved kernel code non-executable during user mode execution so that all transitions from user mode to kernel mode can be easily intercepted via nested page faults.

To make switching between user mode and kernel mode efficient, both in terms of latency and code size, SecVisor maintains two NPTs, one for address translations during user mode execution and the other for address translations during kernel mode execution. These two NPTs set different permissions on user and kernel memory as Figure 5 shows. The synchronization costs of maintaining two NPTs are not high since the NPTs need to be modified only when kernel code is changed.

On each transition from user mode to kernel mode or vice versa, SecVisor changes the `host_cr3` register in the VMCB to point to the NPT of the mode that is going to execute next. In order to avoid flushing the TLB as part of these transitions, SecVisor associates the two NPTs with different ASIDs. The drawback of doing this

is increased TLB pressure due to the fact that the translation for the same virtual address could exist in the TLB under two different ASIDs. We use this optimization under the assumption that the performance benefits of not having to flush the TLB on every transition from user to kernel should be greater than the performance degradation due to the increased TLB pressure.

Software memory virtualization. We now describe SecVisor’s software memory virtualization technique based on shadow page tables (SPT). A SPT virtualizes memory by maintaining the mapping between virtual and host physical addresses. Therefore, the SPT needs to be kept synchronized with the kernel’s page tables. Using an SPT-based approach incurs both a code size increase and performance penalty compared to a NPT-based implementation.

The SPT implementation in SecVisor uses a single SPT for both user and kernel mode execution. As with the NPT, SecVisor protects the SPT by allocating physical pages for it from SecVisor’s memory. SecVisor keeps the SPT synchronized with the current kernel page table. Having a single SPT increases the cost of transitions between the user and kernel modes since execute permissions over user and kernel mode have to be modified on each transition. In spite of this, we do not use an SPT each for user and kernel mode due to fact that SPTs need to be modified far more frequently than NPTs. Unlike the NPTs which only need to be modified on changes to kernel code, the SPT needs to be modified whenever the kernel makes modifications to its current page table (for example, on a page fault) or when it makes another page table current (as part of a context switch). Having to synchronize two SPTs with the kernel’s page table would double the number of memory writes needed for the frequently used SPT synchronization operation.

Like the NPT, SecVisor performs two operations on the SPT: set $W \oplus X$ protections over kernel memory and modify execute permissions over user and kernel memory on each mode transition. Figure 6 shows how SecVisor sets protections in the SPT for user and kernel mode execution. It can be seen that when executing in kernel mode, SecVisor sets $W \oplus X$ protections over kernel memory. One point to note is that when SecVisor uses shadow paging, the SPT are the only page tables used by the CPU. Therefore, (unlike the NPT) the permissions that SecVisor sets in the SPT must be the more restrictive of the its own permissions and those of the kernel.

SecVisor needs to modify execute permissions of user and kernel memory so that all mode transitions cause page faults. To minimize the overhead of modifying the execute permissions on each transition between user and kernel modes, SecVisor uses the NX bits in the page table entries in the second level of the page table hierarchy (the first level entries do not have NX bits). This optimization allows SecVisor to switch execute permissions by changing the NX bits in only 4 page tables.³

Figure 7 shows the different guest operations that SecVisor needs to intercept in order to synchronize the SPT with the kernel’s page tables. The `cr3` register holds the pointer to the page tables. Therefore, the kernel will write to `cr3` when it wants to use a new page table. SecVisor intercepts this write and copies the new kernel page table into the SPT. The `invlpg` instruction is used to invalidate a single TLB entry. When the kernel modifies an existing page table entry it must invalidate the corresponding TLB entry. Intercepting the execution of `invlpg` enables SecVisor to synchronize the SPT with modified kernel page table entry. Finally, when the kernel creates a new entry in its page tables, and attempts to use it, it will cause a page fault since the corresponding entry will not exist in

³Modifying NX permissions of the approved code pages alone does seem to benefit performance due to the extra state that has to be maintained to do this.

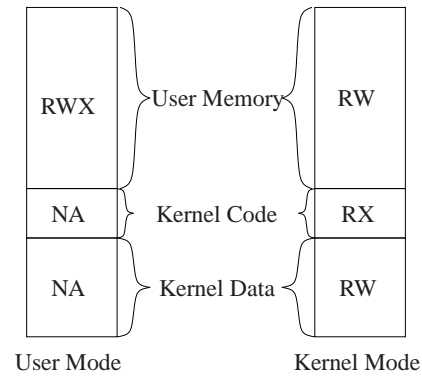


Figure 6: SPT based memory protections for user and kernel modes. R, W, and X stand for read, write, and execute permissions, respectively. NA stands for Not Accessible. The permissions shown correspond to are the more restrictive of those set by the kernel and by SecVisor.

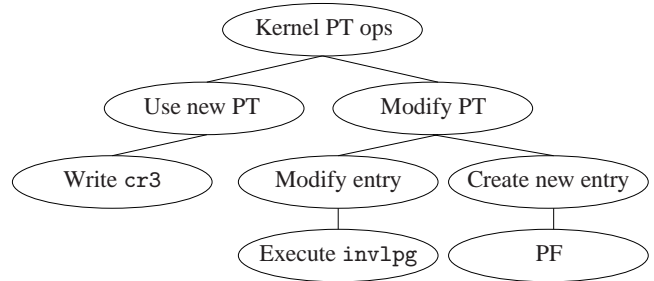


Figure 7: Design of SecVisor SPT synchronization code. Each non-leaf node indicates an operation that the kernel can perform on its page tables. The leaf nodes indicate the guest event that SecVisor must intercept to learn of the corresponding kernel operation. PT and PF stand for Page Table and Page Fault respectively.

the SPT. SecVisor handles such *shadow* page faults to synchronize the SPT by copying the newly created kernel page table entry.

The current SPT synchronization code of SecVisor uses a very simple design that trades off performance for security and ease of porting a kernel. For example, the synchronization code does not try to aggressively batch the synchronization of the SPT in order to amortize synchronization costs. On the other hand, we do not need to make any modifications to the kernel’s page table handling code.

SecVisor also needs to virtualize the MMU in order to control modifications to MMU state. SecVisor intercepts writes to the `cr0` and `cr4` registers for this purpose. The `pe` and `pg` bits in `cr0` turn the MMU on/off and paging on/off respectively. Since SecVisor uses hardware memory protections, it is not desirable to allow the guest software to either turn off the MMU or paging. The `cr4` register contains the `pa0` bit which turns PAE mode on and off. Setting execute permissions over memory pages (using the NX bit) requires the CPU to use PAE mode paging, and therefore, it is not desirable for guest software to clear this bit.

5.3 Virtualizing the DEV Mechanism

As we mentioned in Section 4, SVM has the DEV mechanism to control DMA access to physical pages of memory. Guest software and devices need to be prevented from modifying both the DEV bit vector and the DEV configuration registers in the PCI configura-

tion space. SecVisor protects the DEV bit vector in the same manner it protects the SPT and the NPT: by allocating physical pages for the bit vector from its own memory. By design, the memory controller blocks all accesses from devices to the DEV PCI configuration space. SecVisor protects the DEV configuration registers against writes by guest software by virtualization.

The I/O intercept mechanism of SVM provides a convenient way for SecVisor to virtualize the DEV configuration registers. SecVisor intercepts all writes to the Configuration Data Port. The I/O intercept handler in SecVisor blocks any write to the DEV configuration registers. It figures out the target of the write by looking at the address in the Configuration Address Port. If the write is going to any other PCI configuration register the I/O intercept handler performs the write on behalf of the guest software.

5.4 Kernel Mode Entry and Exit

We now describe how SecVisor achieves properties P1 and P3 on the x86 architecture. Property P3 requires that all kernel mode exits set the privilege level of the CPU to that of user mode. In case of Linux executing on a x86 CPU this user programs execute in Ring 3. Then, on kernel exit SecVisor must set the privilege level of the CPU to Ring 3. As we already pointed out in Section 3.4, as far as all kernel entries set IP to approved code (property P1), all kernel mode exits will cause a protection exception. As part of handling this exception SecVisor sets the CPL field of the VMCB to 3, thereby ensuring that when the guest resumes execution, the CPU will execute in Ring 3.

SecVisor ensures that all CPU entries into kernel mode will satisfy property P1 (IP will point to approved code at entry) by checking that all entry pointers point to approved code. From Section 4.3, we see that the entry pointers all exist in the GDT, the LDT, the IDT, and some MSRs (for `syscall` and `sysenter`). Then, from Section 3.4, we need to maintain shadow copies of the three tables and the relevant MSRs to satisfy property P1. In the rest of this section, we describe how SecVisor maintains the shadow copies of the different entry pointers on the x86.

Maintaining shadow copies of the MSRs is simple since SVM provides facilities for intercepting read and write to each MSR. SecVisor sets bits in the VMCB to intercept writes to the MSRs `msr_sysenter_cs`, `msr_sysenter_ip`, and the `msr_star`. The intercepts enable SecVisor to check whether the entry pointers the kernel writes to these MSRs point to approved code.

Shadowing the GDT, LDT, and IDT is somewhat more involved since our goal is to check and protect not only the CPU pointers to the GDT, LDT, and IDT (the `gdtr`, `ldtr`, and `idtr`) but also the contents of the tables themselves. While SVM provides facilities to intercept writes to the `gdtr`, `ldtr`, and `idtr`, the tables themselves exist in memory and need to be virtualized by software means. In what follows, we first discuss how SecVisor synchronizes the shadow copies of these tables with their kernel counterparts. Then, we tackle the issue of protecting the shadow tables.

To deal with the synchronization issue, we observe that the shadow copies of these tables only need to control execution in user mode since property P1 deals with transition from user mode to kernel mode. In other words, during kernel mode execution the CPU can use the kernel's GDT, LDT, and IDT. This observation enables two simplifications. One, SecVisor does not need to intercept writes to the `gdtr`, `ldtr`, and `idtr` since these registers should be legitimately written only in kernel mode. SecVisor only needs to modify these registers before allowing user mode to execute. This it does by changing the corresponding values in the VMCB as part of handling a kernel to user mode transition. Two, we can implement a *lazy synchronization* scheme to maintain shadow copies of

the GDT, LDT, and IDT. This lazy synchronization scheme only synchronizes the shadow tables as part of handling the protection exception that signals a transition from kernel to user mode. Since all legitimate modifications to these tables can only occur in kernel mode, the lazy synchronization allows SecVisor to batch all its updates to the shadow copies. As part of the synchronization, the exception handler checks that all entry pointers in the shadow GDT, LDT, and IDT point to approved code.

From the description of our lazy synchronization scheme and from the description of the manner in which SecVisor handles kernel exits, it can be seen that a circular dependency exists: the lazy synchronization requires each exit from kernel mode to cause an exception so that the entry pointers in shadow GDT, LDT, and IDT can be checked (property P1), and ensuring that an exception will occur on kernel mode exit requires that the shadow GDT, LDT, and IDT contain valid entry pointers (property P1)! We break this circular dependency by setting up initial condition. We note that at system startup the kernel executes before user programs. SecVisor sets protections at system startup that make all user memory non-executable. Thereby, the first exit from kernel mode will axiomatically cause a CPU exception.

We now take up the issue of write-protecting the shadow tables. Note that, due to our lazy synchronization scheme, the shadow tables only need to be protected from being written to when the CPU executes in user mode. The simplest way to do this seems to be to not map the shadow tables into the guest's address space at all (like we do for the SPT and the NPT). However, not mapping the shadow tables into the guest's address space increases the code size and complexity of SecVisor and also decreases performance. The preceding claim can be justified by the observation that if the shadow tables are not mapped into the guest's virtual address space then SecVisor will have to simulate every one of the many CPU events in user space that access these tables. For example, hardware interrupts require the CPU to read the address of the interrupt handler from the IDT. If the IDT is not mapped into the guest's virtual address space, the CPU will generate a page fault. SecVisor could intercept this page fault to learn of the occurrence of the interrupt. Then, it would have simulate the delivery of the interrupt to the guest. Clearly, complexity and code size of SecVisor.

To simplify the design of SecVisor, we decided to keep the shadow tables mapped in the guest's virtual address space. SecVisor needs a contiguous range of virtual addresses in the guest's virtual address space in order to perform the this mapping. When the kernel boots, SecVisor requests it to permanently allocate 256 Kbytes of contiguous virtual addresses within kernel memory for holding the shadow tables and to statically map this range of addresses of a contiguous range of guest physical addresses. In the discussion that follows, we call this region the *shadow table area*. SecVisor maintains the shadow GDT, LDT, and IDT in shadow table area and write-protects this area to prevent writes in the CPU executes in user mode. The exact method SecVisor uses to write-protect the shadow table area depends upon whether it uses shadow paging or nested paging to virtualize physical memory.

Shadow Page Tables. With shadow paging, the method is straightforward: SecVisor sets up read-only mappings in the SPT entries that map the virtual address of the shadow table area to host physical addresses. Recall from Section 5.1 that the guest to host physical address mapping is the identity map. Therefore, SecVisor fills the address field of the SPT mapping the virtual addresses of the shadow table area with the guest physical addresses allocated by the kernel at boot. Note also that the virtual and guest physical addresses of the shadow table area do not change during the system lifetime. Therefore, the SPT entries need to be set only once.

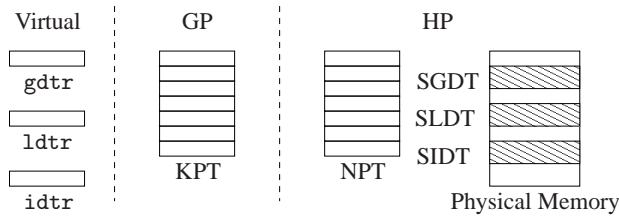


Figure 8: Sequence of address translations required to get to the shadow GDT, LDT, and IDT (SGDT, SLDT, and SIDT in the figure) using the virtual addresses stored in the `gdtr`, `ldtr`, and `idtr`. KPT and NPT are the kernel and nested page tables respectively. HP refers to host physical address space and GP to guest physical address space.

Nested Page Tables. When using nested paging, SecVisor cannot set the read-only permissions for the virtual addresses of the shadow table area only in the NPT. This is because, as shown in Figure 8, the NPT permissions only operate on the guest physical addresses. It is the kernel’s page table that translates the virtual addresses of the shadow table area into guest physical addresses. Therefore, setting permissions in the NPT alone could allow the attacker to modify the kernel’s page table to map the virtual addresses of the shadow table area to different guest physical addresses that are writable from user mode. To prevent this attack, SecVisor must check that the kernel’s page table entries that translate the virtual addresses of the shadow table area contain the guest physical addresses allocated to shadow table area by the kernel at boot. Then, it must protect the kernel’s page table from being modified when the CPU executes in user mode.

To protect the kernel’s page table, observe that the CPU accesses the kernel’s page tables using guest physical addresses. Then, the kernel’s page table could be protected from writes by guest user mode software by simply removing the write permissions in the NPT for the guest physical addresses of the kernel’s page tables. Also, the DEV bit vector needs to protect the physical pages that contain the kernel’s page table from DMA writes. Adopting this approach requires that the NPT used for user mode execution and the DEV bit vector be modified on each context switch since each user process will have a different page table. Also, the TLB will need to be flushed. Modifying the DEV bit vector requires that the bit vector cache in the memory controller be invalidated. This invalidation requires software to set a bit in the DEV configuration registers and monitor the bit until it is cleared by the hardware. The clearing of the bit indicates that the hardware has invalidated the DEV bit vector cache. For performance, we would like to avoid performing several memory writes to the NPT, a TLB flush, and a DEV bit vector modification in SecVisor on each context switch.

Alternately, we could copy the kernel’s page table into the shadow table area. Since the shadow table area exists at the same guest physical address, and hence host physical address, for the entire lifetime of the system both the NPT and DEV bit vector protections need to be set only once. However, this solution also requires several memory writes since the kernel’s page table can be large.

However, SecVisor need not copy the entire kernel page table. To understand why this is true, observe that a page table describes a function between virtual and physical addresses. Therefore, it can map a given virtual address to exactly one physical address.⁴ Then SecVisor only needs to protect those page tables in all levels of the

⁴Note that the split-TLB attack [26] does not apply here since only the data TLB will be used.

page table hierarchy of the kernel’s page table whose entries translate the virtual addresses of the shadow table area to guest physical addresses. This greatly reduces the amount of data that needs to be copied into the shadow table area.

In summary, to protect the kernel’s page tables, SecVisor copies the relevant page tables in all levels of the page table hierarchy into the shadow table area. The guest physical addresses of the shadow table area are marked read-only in the NPT and the host physical pages of the shadow table area are protected from DMA writes. SecVisor also modifies the guest’s `cr3` for user mode execution to point to the top-level page table in the shadow table area and modifies the pointers in the page table entries at all levels of the page table hierarchy to reflect the copy. Only a few (often just one) pointers per level of the page table hierarchy need to be modified.

Now that it is guaranteed that the kernel’s page table will map the virtual addresses of the shadow table area to the guest physical addresses allocated by the kernel at boot, and the guest physical addresses of the shadow table area are marked read-only in the NPT, and the host physical pages of the shadow table area are protected against DMA writes, the shadow GDT, LDT, and IDT cannot be modified during user mode execution. Recall that SecVisor’s lazy synchronization code sets the `gdtr`, `ldtr`, and `idtr` to the virtual addresses of the shadow tables. This means that the CPU uses the shadow tables, which hold correct entry pointers, during user mode execution. This along with the fact that the MSRs used by `syscall` and `sysenter` also contain correct entry pointers, ensures that property P1 is satisfied.

6. PORTING THE LINUX KERNEL

In this section we discuss how we port the Linux kernel to SecVisor, by illustrating how SecVisor handles the two kinds of code that can be loaded into kernel memory: the main Linux kernel which is loaded at bootstrap, and the kernel modules which are dynamically loaded and unloaded during the lifetime of the system.

6.1 Main kernel

The main kernel makes calls to the Basic Input and Output System (BIOS) as part of its initialization. Since the BIOS executes in Ring 0, SecVisor would have to approve the BIOS code. However, approving the BIOS code is not simple because of the diversity and complexity of the BIOS subsystem. For example, some BIOS only map a part of the Flash chip containing the BIOS image into the physical address space of the CPU. Others map their code into several different regions of physical memory whose locations might differ from system to system. Approving the BIOS could add considerably to the code size and complexity of SecVisor.

Fortunately, the Linux kernel is designed so that after its initialization, it does not make any more calls to the BIOS. Even more conveniently, the main kernel’s code is divided into two parts: the bootstrap part which contains all the calls to the BIOS and the runtime. In view of this, all we need to do is launch SecVisor after the bootstrap finishes execution and SecVisor does not have to deal with the BIOS at all!⁵ Note that this does not weaken the security guarantee offered by SecVisor since the bootstrap code is never used by the kernel again. In fact, the memory used by the bootstrap code is reclaimed by the runtime.

Figure 9 shows the normal bootstrap sequence of Linux. The bootloader loads the kernel into memory and jumps to the kernel’s

⁵This is not the whole story. A System Management Interrupt (SMI) still invokes the BIOS. However, SVM provides a way to invoke the System Management Mode (SMM) handler under the control of the host. A description of how we can use this feature of SVM to safely handle SMI is given in Section 8.

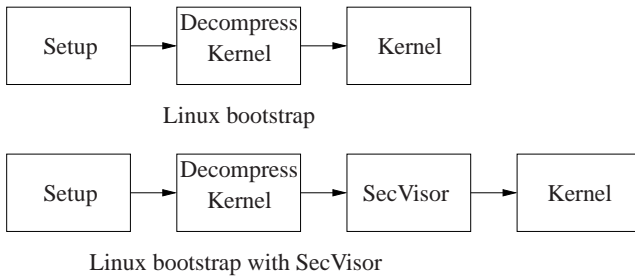


Figure 9: Modifying Linux’s bootstrap. `decompress_kernel` invokes `SecVisor` using `skinit`.

bootstrap code. The kernel’s bootstrap code consists of two parts: a `setup` function and a `decompress_kernel` function. The `setup` function executes first and initializes the hardware with calls to the BIOS. It then jumps to the `decompress_kernel` function, which performs further hardware initialization, decompresses the runtime, and jumps to start address of the runtime.

We modify this boot sequence to make `decompress_kernel` invoke `SecVisor` via the `skinit` instruction (the boot loader loads `SecVisor` into memory along with the kernel) as shown in Figure 9. The late launch feature of `skinit` ensures that `SecVisor` will now execute untampered by any entity on the system. `decompress_kernel` also passes the start and end addresses of the run-time’s code segment as parameters to `SecVisor`. `SecVisor` then performs its initialization and passes the runtime image to the approval policy for approval. We use an approval policy based on a whitelist of cryptographic hashes in our implementation. Our approval policy computes a SHA-1 [13] hash of the kernel runtime and checks if the hash exists in the whitelist. If the approval policy approves the runtime, `SecVisor` creates a VMCB whose CPU state is set to the state of the CPU at the time when the runtime starts executing during a normal bootstrap. Finally, `SecVisor` sets memory protections over the runtime code, and transfers control to the runtime using the `vmrun` instruction.

We need to address a few additional issues in the above implementation. One is the issue of validating the start and end addresses of the main kernel code image passed by the `decompress_kernel` function. This can be simply handled by noting that if the start and end addresses passed to `SecVisor` are different from their correct values, then the main kernel code image should differ from its expected value, and should be rejected by the approval policy.

The second issue is that it is impossible, under the $W \oplus X$ protection scheme, to set suitable protections for pages that contain both code and data. To address this issue, we modify the kernel linker script to ensure that start addresses of all data segments of the runtime are page aligned.

6.2 Kernel modules

The main issue with modules is that the module loading code in the kernel relocates the module executable to link it with the kernel. The module image will look different after the relocation than before. Since the load address of a module can vary each time it is loaded and can vary between systems, it is impractical to create an approval policy to deal with all possible load addresses of all possible modules on every system. It is also not safe to approve the module code image before relocation by the kernel. Now the kernel will modify the module code image after approval and it is difficult to verify that the kernel’s writes are not malicious.

Our solution to the above conundrum is to have `SecVisor` perform the relocation after subjecting the module to approval by the

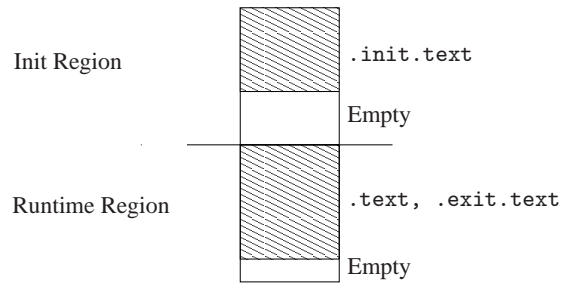


Figure 10: Layout of different modules sections in memory. In the figure we assume that the `Init Region` and `Runtime Region` are both one page in size. Both regions start at page aligned addresses and there is empty space between the end of the code and the end of the page.

approval policy. The kernel informs `SecVisor` of the virtual addresses from which the module will execute. Thus, the kernel does not get to write to the module code after its approval. Also, as we show in Section 7, the increase in `SecVisor`’s code size due to the relocation code is small.

Kernel modules can be loaded and unloaded dynamically. Therefore, `SecVisor` needs to set protections over module code on a module load and remove these protections on a module unload. We describe next how `SecVisor` handles module loads and unloads.

Module loading. Linux kernel module files on disk are relocatable object files in the Executable and Linkable Format (ELF) format. All module code is contained in three ELF sections: `.text`, `.init.text`, and `.exit.text`. From the kernel source code, we find that it puts `.init.text` in one memory region and `.text` and `.exit.text` contiguously in another memory region. For the purposes of this description, we call the first memory region the *init region* and the second memory region the *runtime region*. Figure 10 shows how the module code is laid out. The figure shows the two regions as being contiguous in memory but this need not always be true. Finally, the kernel relocates the module code using the addresses of the two regions as inputs.

We modify the control flow of the kernel’s module loading code in the function `load_module`, so that it invokes `SecVisor` via a hypercall, after copying the module’s code into the `init` and `runtime` regions. The arguments to the hypercall are the start and end addresses of the `init` and `runtime` regions (virtual addresses in shadow paging, and virtual and guest physical addresses in nested paging). On receiving the hypercall, `SecVisor` first calls the approval policy to check the module code. As with the main kernel any incorrect arguments to the hypercall will cause the approval check to fail. If the check passes, `SecVisor` relocates the module based on the arguments of the hypercall. Finally, `SecVisor` fills the empty space in the `init` and `runtime` regions with `no-op` instructions, sets memory protections over the two regions and returns.

Module unloading. Unloading a module allows the kernel to reclaim the memory used. We modify the `free_module` function in the kernel to invoke `SecVisor` via a hypercall. `SecVisor` makes the pages occupied by the code pages of the module writable by the CPU and peripheral devices and removes their execute permission. This prevents any further execution of the module code.

7. EVALUATION

In this section we evaluate our `SecVisor` prototype using two metrics: compliance with design requirements and performance.

	Debug	Initialization				Header Files		Runtime					
		SPT		NPT		Code	Declarations	SPT		NPT	SHA-1	Module Reloc	
Lines of code	469	C	538	C	599	376	922	C	1236	C	609	294	81
		Asm	130	Asm	130			Asm	46	Asm	46		

Table 1: Lines of code in SecVisor. SPT and NPT stand for the shadow paging based and nested paging based implementations respectively. For parts of the code that are a mix of C and assembly, we report the counts separately.

7.1 Design Requirements Compliance

As we mentioned in Section 1 we have three design goals for SecVisor: (1) small code size, (2) minimal kernel interface, and (3) ease of porting OS kernels. The first two goals aid in achieving better security, and the third goal simplifies deployment. We now discuss how our prototype complies with our design goals.

Code size. We use D.A. Wheeler’s `sloc` program to count the number of lines of source code in our SecVisor prototype. The results are presented in Table 1. For the purpose of measurement, we divide SecVisor’s code into four parts. The initialization code initializes the CPU state and SecVisor’s runtime state after SecVisor is invoked by the `decompress_kernel` function using the `skinit` instruction. The memory occupied by this code is made available for use by the kernel once the SecVisor runtime code gains control. The debug code provides a `printf` function, which is not required on a production system. The C language header files have both declarations, and code in the form of preprocessor macros and functions. Finally, the runtime code is responsible for providing the guarantee of approved code execution in kernel mode. We report the code sizes for shadow paging and nested paging implementations separately. Also shown in Table 1 are the code sizes of the SHA-1 function SecVisor uses for its approval policy, and the ELF relocation code for the kernel modules.

As can be observed from Table 1, the total size of the nested paging implementation of SecVisor is 3526 lines of C and assembler code. Of this, the security-sensitive runtime code and the header files measure 2328 lines. When the declarations (which mainly consist of various constants and large `struct` declarations) in the header files are removed from the previous count, the code size comes out to 1406 lines. For the shadow paging implementation, the total code size is 4092 lines of C and assembler code, with the security-sensitive runtime code and header files measuring 2955 lines. Upon removing the declarations from the count we are left with 2033 lines of code. These code sizes should put SecVisor within the reach of formal verification and manual audit techniques.

Kernel interface. SecVisor’s interface to the kernel consists of only 2 hypercalls. The first hypercall is used by the kernel to request changes to its code (such as loading and unloading modules), while the second hypercall is used by the kernel during its initialization to pass the virtual and guest physical addresses of the shadow table area. The hypercall interface is small which reduces the attack surface available to the attacker through the kernel. Also, the parameters passed in each hypercall are well-defined, making it possible for SecVisor to ensure the validity of these arguments.

Effort required to port a kernel. SecVisor’s design makes very few assumptions about the kernel which it protects. We now enumerate the changes we had to make to the Linux kernel to port it to SecVisor. Then we point out the kernel specific assumptions that SecVisor makes and discuss how those assumptions affect the effort required to port a new kernel.

We made three changes to the Linux kernel version 2.6.20 to port it to SecVisor. First, the `decompress_kernel` function in-

voke SecVisor using the `skinit` instruction instead of jumping to the decompressed kernel. Second, during its initialization, the kernel passes the addresses of the shadow table area to SecVisor using a hypercall. Finally, we changed the control flow of the `load_module` and the `free_module` function. As part of changing the control flow of these functions, we removed the ELF relocation code from the `load_module` function and added hypercalls to both functions. In all, the three changes added a total of 12 lines of code to the kernel and deleted 81.

SecVisor makes three assumptions about the kernel it protects. First, it assumes that the user and kernel mode share address spaces. If a kernel design uses separate address spaces for user and kernel modes, then the design of the shadow paging and nested paging code in SecVisor would need to be adapted. However, the changes are relatively small since we would only need to maintain separate page tables for user mode and kernel mode, and handle the page faults that arise when the kernel tries to access user memory. Second, SecVisor assumes that the kernel’s binary does not have pages that contain both code and data. Even if a kernel binary does not satisfy this requirement, it should be relatively easy to fix by appropriately modifying the linking of the kernel. Third, in order to not deal with the BIOS, SecVisor requires that the kernel not make any BIOS calls after its initialization. Kernels that do not satisfy this assumption will be relatively difficult to port of SecVisor without adding support in SecVisor for dealing with the BIOS.

7.2 Performance Measurements

We now report the performance of the SPT-based SecVisor implementation and compare it to Xen and the Linux kernel. We cannot evaluate the NPT version of SecVisor on real hardware since suitable CPUs are not available at this time. While we have implemented and tested the NPT version of SecVisor using AMD’s SimNow simulator, we do not report performance measurements since SimNow is not a cycle accurate simulator.

Experiment setup. Our experimental platform is the HP Compaq dc5750 Microtower PC. This PC uses an AMD Athlon64 X2 dual-core CPU running at 2200 MHz, and has 2 GB RAM. SecVisor allocates 1536 MB of RAM to the kernel in our experiments. The PC runs the i386 version of the Fedora Core 6 Linux distribution. We use the uniprocessor version of Linux kernel 2.6.20 and uniprocessor Xen 3.0.4 in our experiments. All our Xen experiments execute in dom0. For our experiments, we use both kernel microbenchmarks and application benchmarks.

lmbench microbenchmarks. We use the `lmbench` benchmarking suite to measure overheads of different kernel operations when using SecVisor. SecVisor adds overhead to kernel operations in three ways: (1) by modifying execute permissions in the SPT on each transition between user and kernel mode, (2) by synchronizing the SPT with the kernel’s page table, and (3) by shadowing the GDT, LDT, and IDT. We use a subset of the process, memory, and context switch microbenchmarks from `lmbench` to study these overheads.

Table 2 shows the results of our experiments. The `Null Call` shows the overhead of a round trip between user and kernel mode

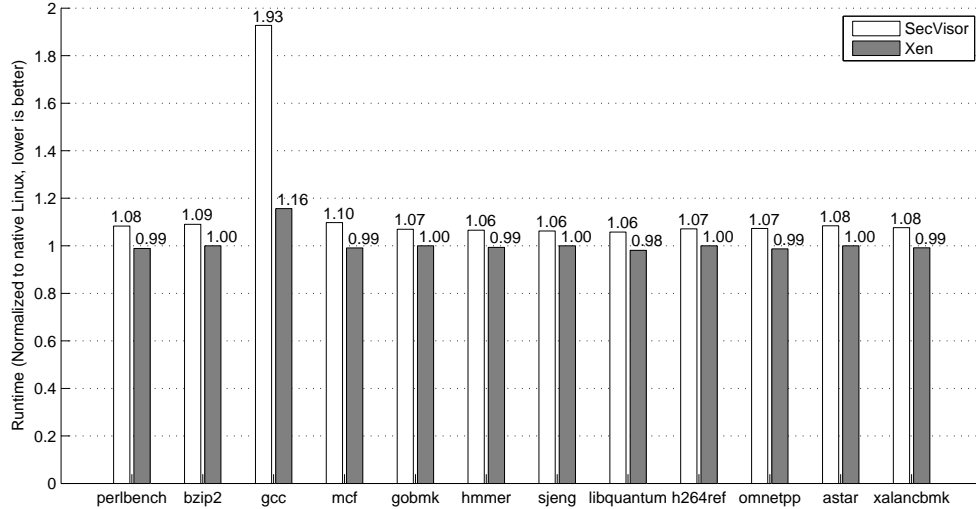


Figure 11: SPECint 2006 performance comparison between SecVisor and Xen, relative to native Linux.

Host	Null Call	Fork	Exec	Prot Fault	PF
Linux (UP)	0.10	139	410	0.248	1.71
Xen (UP)	0.17	415	1047	0.565	3.71
SecVisor	25.6	2274	6203	27.3	35.1

Table 2: Execution times of `lmbench` process and memory microbenchmarks. All times are in μ s. We use the uniprocessor (UP) version of Xen and Linux in our experiments. PF stands for page fault.

and back, i.e., it shows the overhead of (1) and (3) above. The Prot Fault indicates the time taken by the kernel to process a write access violation. The overhead is quite close to that of Null Call since it also only involves a round trip from user to kernel mode and back, from the perspective of SecVisor. The overhead of Page Fault is higher than that of Prot Fault since handling a page fault requires a round trip from user mode to kernel mode and back, in which the kernel updates its page table, followed by a round trip from user mode to SecVisor and back, in which SecVisor synchronizes the SPT with the kernel’s page table. The Fork and Exec microbenchmarks incur all three sources of overhead.

Source	Null Call	Fork	Exec	Prot Fault	PF
SPT	0.10	1275	3043	2.289	14.6
SPT + Perm	21.8	2148	5816	22.5	32.9

Table 3: Split up of the SecVisor overheads in the `lmbench` process and memory microbenchmarks. All times are in μ s. PF stands for Page Fault, SPT for shadow page tables, Perm for modifying execute permissions on user and kernel memory.

In order to obtain an understanding of how much each of the three sources of overhead contribute to the overall overhead, we conduct further experiments. For these experiments, we implement two additional versions of SecVisor: one that only virtualizes physical memory using the SPT, and the other that modifies the execute permissions of user and kernel memory in addition to virtualizing physical memory. The intuition behind implementing these addi-

tional versions is that they allow us to obtain the individual overheads of the three sources.

Table 3 shows our results. From comparing the first and second rows of this table it is clear that modifying the execute permissions for user and kernel memory drastically increases the overhead in all benchmarks. Also, by comparing the last row of Table 3 with the last row of Table 2 it is obvious that shadowing the GDT, LDT, and IDT is a much lower overhead operation than modifying the execute permissions.

The above observations enable us to intelligently speculate about the performance of the NPT version of SecVisor. Obviously, the physical memory virtualization overhead will be lower when using the NPT as compared to the SPT. Also, in our NPT implementation, we maintain separate NPTs for user mode and kernel mode, which eliminates the need to modify the execute permissions. This optimization should ensure better numbers in the second row of Table 3. The overhead of shadowing the GDT, LDT, and IDT should remain the same. In view of the above, we expect the NPT version of SecVisor to perform much better than the SPT version.

Host	2p/0K	2p/16K	2p/64K	8p/16K	8p/64K
Linux (UP)	0.56	0.64	3.19	1.48	12.9
Xen (UP)	2.61	2.42	5.16	4.07	17.1
SecVisor	54.3	52.7	53.6	63.3	75.8

Table 4: Execution times of `lmbench` context switch microbenchmarks. All times are in μ s. We use the uniprocessor (UP) version of Xen and Linux in our experiments.

Table 4 shows the results of running `lmbench` context switch microbenchmarks. The context switch incurs the overhead of all three sources, leading to significant slowdown in SecVisor compared to the native Linux kernel and Xen.

Application benchmarks. We hypothesize that when SecVisor is used, the overhead of an application will be directly proportional to both the number of times the application calls the kernel and the rate of change of the application’s working set. Kernel calls and returns will impose the overhead of switching execute permissions in

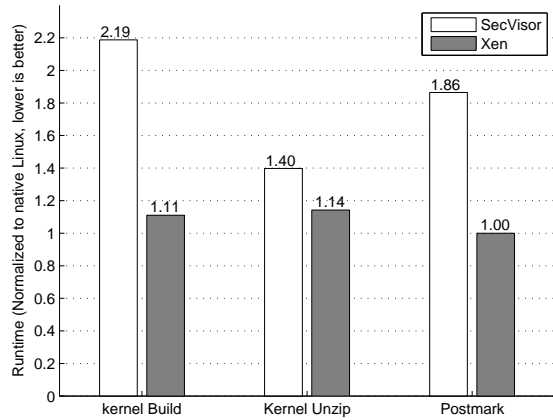


Figure 12: Application performance comparison between SecVisor and Xen, relative to native Linux.

the SPT and shadowing the GDT, LDT, and IDT, while a change of the working set will impose the overhead of SPT synchronization. Based on our hypothesis, compute-bound applications that have a stable working set throughout their lifetime will have the lowest overhead. On the other hand, I/O bound applications with highly variable working sets will be the pathological cases.

To test our hypothesis, we execute both compute-bound and I/O bound applications with SecVisor. For our compute-bound applications we choose benchmarks from the SPECint 2006 suite. Our I/O bound applications consist of the gcc benchmark from SPECint 2006, the Linux kernel compile, unzipping and untarring the Linux kernel sources, and Postmark.

In the Linux kernel compile, we compile the sources of the kernel version 2.6.20 by executing “make” in the top-level source directory. For unzipping and untarring the kernel source we execute “tar xfvz” on the source tarball of the version 2.6.20 of the Linux kernel. For Postmark, we choose 20000 files, 100000 transactions, and 100 subdirectories, and all other parameters are set at their default values. For comparison purposes, we also execute SPECint 2006 and each of these applications on the native Linux kernel and on Xen. We run each of these applications five times on each of the Linux kernel, Xen, and SecVisor.

Our results are presented in Figure 11 and Figure 12. The results are in line with our predictions: the compute-bound SPEC benchmarks have a low overhead while the gcc SPEC benchmark, kernel compile, and Postmark which are I/O bound and have rapidly changing working sets have the highest overheads.

8. LIMITATIONS AND FUTURE WORK

We now discuss the limitations of SecVisor, our future implementation plans, and two additional applications where SecVisor could be used.

8.1 Limitations

SecVisor guarantees integrity of the code that executes in kernel mode, but not the integrity of the control flow. Consequently, a “return-to-libc” style attack within the kernel is possible, where an attacker can cause a return instruction in the kernel code to pass control to a kernel function of its choosing by overwriting the return address stored on the stack. Another attack that manipulates the control flow of a program is described by Shacham. This attack

constructs arbitrary instruction sequences by adequately combining existing instruction sequences [20]. However, such attacks can be mitigated by combining SecVisor with techniques that guarantee control flow integrity [6, 15].

Besides manipulating the control flow to perform attacks, the attacker could also modify kernel data in order to indirectly influence the control flow within kernel code. For example, the attacker could change the predicate of a conditional. Attacks of this kind are discussed by Chen et al. in the context of user applications [4].

8.2 Future Implementation

In this section we present our planned extensions to the current SecVisor prototype. The extensions are presented in the order in which we hope to implement them.

Multi-CPU support. With the trend towards multi-core CPUs, it becomes necessary for SecVisor to support multiple CPUs. Implementing this support requires SecVisor to intercept the attempt by the kernel’s initialization code to switch from uniprocessor to multiprocessor operation. Also, SecVisor needs to implement locking primitives to synchronize access to its global data. Finally, SecVisor needs to set up CPU data structures such as the GDT, IDT, and VMCB for each CPU in the system.

On a multi-CPU AMD x86 system, one CPU is elected as the bootstrap processor (BSP) each time the system is powered up. All other CPUs become application processors (AP). The `skinit` instruction can only be executed by the BSP. All the APs must be put into a halted state by the code that invokes `skinit`. The APs will remain in the halted state until they are woken up by code executing on the BSP using an interprocessor interrupt (IPI).

The `decompress_kernel` function starts SecVisor by invoking `skinit`. SecVisor then executes on the BSP, and starts the kernel’s runtime by executing the `vmrun` instruction. The kernel’s runtime initially executes on the BSP. Sometime during its initialization, the kernel switches to multiprocessor mode by waking up all the APs via an IPI. SecVisor can intercept the kernel’s attempt to send this IPI, and perform the wake up on its own. Then it can set up a VMCB for each AP, and execute the `vmrun` instruction on each of them. This causes all the APs to begin executing the kernel’s runtime, thereby simulating the effect of the kernel’s IPI.

SecVisor’s locking primitives can be simple since the amount of global state in SecVisor is small. We plan to use `spinlocks` as SecVisor’s locking primitive.

Handling SMI. The System Management Mode (SMM) is a special operating mode of an x86 CPU that is entered when the CPU receives a System Management Interrupt (SMI). SMM is designed to be transparent to all software executing on the system. It is normally used by the BIOS to perform power management tasks or to fix hardware bugs. For example, closing the lid of a laptop generates an SMI that causes the SMM handler in the BIOS (in conjunction with the OS) to suspend the laptop.

The SMM handler executes at the highest CPU privilege (kernel or VMM privilege, depending on whether SVM is enabled) so that it can perform its tasks transparently to the rest of the system. This is not desirable from SecVisor’s point of view since it now has to trust the BIOS code. However, SVM provides a way to address this issue. SecVisor can intercept the SMI and *containerize* the SMM handler so that the SMM handler executes as a VM under SecVisor’s control. Then SecVisor can prevent the SMM handler from modifying CPU and memory state that are critical for security. We expect that this restriction will not affect the execution of the SMM handler since SecVisor will only prevent the SMM handler from modifying memory pages of SecVisor and those of the kernel code, the MSRs containing entry pointers, and the DEV mechanism

configuration registers. Another option is to use a BIOS without SMM code, such as the open source LinuxBIOS [16].

Self-modifying code. SecVisor can detect the use of self-modifying code in a kernel through write faults. When such a write fault occurs SecVisor can perform the write on behalf of the kernel. SecVisor then calls the approval policy to approve the modification to the kernel code. Approving the write requires determining if the write is genuine or was initiated by an attacker. The difficulty can be somewhat mitigated, if the approval policy is aware of the reason for the code alteration. For example, a kernel might fix compiler or CPU bug by modifying its code at bootstrap. Since the list of such bugs is well known, the approval policy can check if the modification being performed to the kernel code is a bug fix. However, supporting self-modifying code is likely to complicate the approval policy of SecVisor.

Porting to Intel TXT and Windows XP. Intel's Trusted Execution Technology (TXT) is a CPU-based virtualization and security technology present in recent CPUs from Intel [11]. It provides facilities that are semantically similar to those of AMD SVM. Therefore it should be possible to port SecVisor to systems with TXT support. We also plan to port the Windows XP kernel to SecVisor.

8.3 Additional Applications

Protecting user programs. SecVisor should be naturally applicable to protecting the code of user programs as well. Preventing code injection attacks against user programs should help mitigate the threat from several current generation worms that use code injection as their method of attack. Also, it can prevent attackers from creating bots by exploiting vulnerabilities in user programs to inject the bot code. However, the overhead of providing user code protection in SecVisor is likely to be higher than that of protecting kernel code since allocation of user memory pages between code and data changes more often (for example, on every context switch).

Kernel code attestation. SecVisor can implement an approval policy for kernel code attestation. Such an approval policy can compute and store cryptographic hashes of all code that is loaded into kernel memory from the time the kernel is started. The attestation offered by SecVisor does not suffer from a time-of-check-to-time-of-use (TOCTTOU) problem since SecVisor will not permit kernel code to be modified without re-hashing the new code.

9. RELATED WORK

In this section, we survey proposed techniques for ensuring kernel code integrity, small virtual machine monitors, and kernel rootkit detection.

9.1 Kernel Code Integrity Protection

The standard approach followed by all mainstream OSes to ensure kernel code integrity is through standard access control mechanisms, such as file system protections (to prevent unauthorized alterations of kernel and module binaries, and configuration files) and kernel-enforced restrictions on module loading. Unfortunately, these approaches cannot protect against kernel vulnerabilities.

The IBM 4758 secure coprocessor provides special hardware support for a "ratchet" mechanism, which locks OS memory and loaded modules after the ratchet mechanism has been incremented [7, 21]. The 4758 hardware support offers a high level of security thanks to the hardware-enforced mechanism, but is inflexible since it prevents exchanging components, which would not be applicable to mainstream OSes. Moreover, their mechanism requires a customized OS, so it would not be applicable to legacy OSes.

Program Shepherding attempts to provide code integrity and control flow integrity for application programs [15]. It uses a dynamic optimization framework to check that every control transfer in the program satisfies the specified security policy and also checks the origin to the program's executable code. SecVisor can be used to protect the dynamic optimization framework used by Program Shepherding, thereby achieving stronger security guarantees.

Livewire is a host-based Intrusion Detection System (IDS) built into a VMM [9]. It detects intrusions by observing the state of the kernel executing in a VM. To prevent an attacker from injecting malicious code into the kernel to manipulate its state, Livewire uses the VMM to make the kernel code segments read-only. However, since Livewire does not address properties P1 and P3, there is no guarantee that the CPU will not execute code outside the kernel's code segments in kernel mode.

Recently, Criswell et al. have proposed the Secure Virtual Architecture (SVA), which uses programming language techniques to provide memory safety and control-flow integrity for commodity kernels [6]. Analogous with Program Shepherding, SVA can be combined with SecVisor to achieve stronger security guarantees by using SecVisor to protect SVA's runtime environment.

9.2 Small Virtual Machine Monitors

Several researchers proposed to build small VMMs [8, 14, 17]. The aim of these VMMs is to minimize code size until it is small enough for formal verification or manual audit. Such VMMs could be adopted to provide properties similar to SecVisor.

However, in addressing the problem of kernel code integrity, the security properties of SecVisor will be better than those of VMMs. The code size of SecVisor will still be smaller for two reasons. One, SecVisor only virtualizes the MMU, the IOMMU, and the physical memory whereas a VMM has to virtualize the entire system. Two, unlike a VMM, SecVisor does not need to support multiple Virtual Machines (VM). This reduces the code size by eliminating certain features such as context switching, scheduling, and interrupt handling. Also, the memory, MMU and IOMMU virtualization code of SecVisor will be smaller than the corresponding code in a VMM. In addition to code size, the size of SecVisor's external interface will also be smaller than that of VMM (for example, VMMs need to provide interfaces for administering VMs).

9.3 Kernel Rootkit Detection

Various techniques have been proposed to detect malicious code in the OS kernel (also called rootkits). As far as we are aware, SecVisor is the only technique that provides the stronger property of *preventing* code injection attacks against OS kernels. Rootkit detection techniques can be classified into two categories: software-based and hardware-based. Attacks exist against both hardware and software-based rootkit detection techniques.

Software-based kernel rootkit detection. Rootkit detection techniques that rely on the integrity of one or more parts of the kernel can be defeated by an attacker that compromises the parts of the kernel whose integrity is relied on by the rootkit detector [5, 12, 23]. Even rootkit detectors that do not rely on the integrity of any software executing on a machine can be defeated by placing the rootkit in the OS's data segment or heap whose integrity is difficult to check since it is not practical to determine in advance what the "known good" value of dynamic segments of memory [19] will be. Rootkit detection techniques that rely on differences in file system scans cannot detect rootkits that do not modify the file system [24].

Hardware-based rootkit detection. Hardware-based rootkit detection techniques work by attaching specialized peripheral devices to a system. These devices check the integrity of one or more

regions of the kernel memory to detect the presence of malicious code. Recently, Rutkowska demonstrated a generic attack against hardware-based rootkit detectors that relies on the dichotomy of the CPU's view of physical memory and the devices' view of physical memory [18]. We mention a generic version of the same attack against CoPilot in our work on Pioneer.

10. CONCLUSION

With the general observation that the number of security vulnerabilities increases exponentially with complexity and size, it is no surprise that critical vulnerabilities are frequently discovered in mainstream kernels.

In this context, we pursue the research challenge of what is the minimal change we can introduce to significantly enhance the security of legacy OSes?

Leveraging the features of new generations of CPUs, we design SecVisor, a tiny hypervisor that protects the code integrity of legacy OSes during the system lifetime, and ensures that only approved code can execute in kernel mode. SecVisor protects the legacy OS against a variety of well-known and upcoming attacks, including code injection through buffer overruns, kernel-level rootkits, and malicious devices with DMA access. So far, the majority of approaches to secure OSes follow a *detection* approach, which detects and mitigates attacks. SecVisor follows a more efficient approach, which is to *prevent* a large class of attacks altogether.

While SecVisor does not prevent against control-flow attacks, it can be combined with approaches that do provide additional protections. Moreover, SecVisor will ensure code integrity and memory protection for such additional security mechanisms.

11. ACKNOWLEDGEMENTS

We gratefully acknowledge the help provided by AMD in donating suitable hardware and providing technical support. We would also like to thank our shepherd Richard Draves, as well as Benjamin Serebrin, Leendert van Doorn, Elsie Wahlig, and the anonymous reviewers for their help and feedback.

12. REFERENCES

- [1] Advanced Micro Devices. *AMD64 Architecture Programmer's Manual Volume 2: System Programming*, 3.12 edition, September 2006.
- [2] Advanced Micro Devices. *AMD64 Architecture Programmer's Manual Volume 3: General-Purpose and System Instructions*, 3.12 edition, September 2006.
- [3] M. Becher, M. Dornseif, and C.N. Klein. FireWire all your memory are belong to us. In *Proceedings of CanSecWest*, 2005.
- [4] S. Chen, J. Xu, E.C. Sezer, P. Gauriar, and R.K. Iyer. Non-control-data attacks are realistic threats. In *Proceedings of the 14th USENIX Security Symposium*, pages 177–192, August 2005.
- [5] A. Chuvakin. Ups and downs of UNIX/Linux host-based security solutions. *login: The Magazine of USENIX and SAGE*, 28(2), April 2003.
- [6] J. Criswell, A. Lenharth, D. Dhurjati, and V. Adve. Secure virtual architecture: A safe execution environment for commodity operating systems. In *Proceedings of ACM Symposium on Operating Systems Principles*, Oct 2007.
- [7] J. Dyer, M. Lindemann, R. Perez, R. Sailer, L. van Doorn, S.W. Smith, and S. Weingart. Building the IBM 4758 Secure Coprocessor. *IEEE Computer*, 34(10):57–66, 2001.
- [8] T. Garfinkel, B. Pfaff, J. Chow, M. Rosenblum, and D. Boneh. Terra: A virtual machine-based platform for trusted computing. In *Proceedings of ACM Symposium on Operating Systems Principles (SOSP)*, 2003.
- [9] T. Garfinkel and M. Rosenblum. A virtual machine introspection based architecture for intrusion detection. In *Proc. Network and Distributed Systems Security Symposium*, February 2003.
- [10] Intel Corp. *LaGrande Technology Architectural Overview*, September 2003.
- [11] Intel Corporation. Trusted eXecution Technology – preliminary architecture specification and enabling considerations. Document number 31516803, November 2006.
- [12] K. J. Jones. Loadable Kernel Modules. *login: The Magazine of USENIX and SAGE*, 26(7), November 2001.
- [13] P. Jones. RFC3174: US Secure Hash Algorithm 1 (SHA-1). <http://www.faqs.org/rfcs/rfc3174.html>, September 2001.
- [14] K. Kaneda. Tiny virtual machine monitor. <http://www.y1.is.s.u-tokyo.ac.jp/~kaneda/tvmm/>.
- [15] V. Kiriansky, D. Bruening, and S. Amarasinghe. Secure execution via program shepherding. In *Proceedings of the 11th USENIX Security Symposium*, August 2002.
- [16] R. Minnich, J. Hendricks, and D. Webster. The Linux BIOS. In *Proceedings of the 4th Annual Linux Showcase and Conference*, Oct 2000.
- [17] R. Russell. Lguest: The simple x86 hypervisor. <http://lguest.ozlabs.org/>.
- [18] J. Rutkowska. Beyond the CPU: Defeating hardware based RAM acquisition. In *Proceedings of BlackHat DC 2007*, Feb 2007.
- [19] A. Seshadri, M. Luk, E. Shi, A. Perrig, L. van Doorn, and P. Khosla. Pioneer: Verifying integrity and guaranteeing execution of code on legacy platforms. In *Proceedings of ACM Symposium on Operating Systems Principles (SOSP)*, pages 1–15, October 2005.
- [20] H. Shacham. The geometry of innocent flesh on the bone: Return-into-libc without function calls (on the x86). In *Proceedings of the 14th ACM Conference on Computer and Communications Security*, Oct 2007.
- [21] S.W. Smith and S.H. Weingart. Building a high-performance, programmable secure coprocessor. *Computer Networks (Special Issue on Computer Network Security)*, 31:831–960, 1999.
- [22] J. von Neumann. First draft of a report on the EDVAC. In B. Randall, editor, *The origins of digital computers: selected papers*, pages 383–392. 1982.
- [23] Y. Wang, R. Roussev, C. Verbowski, A. Johnson, and D. Ladd. AskStrider: What has changed on my machine lately? Technical Report MSR-TR-2004-03, Microsoft Research, 2004.
- [24] Y. Wang, B. Vo, R. Roussev, C. Verbowski, and A. Johnson. Strider GhostBuster: Why it's a bad idea for stealth software to hide files. Technical Report MSR-TR-2004-71, Microsoft Research, 2004.
- [25] D.A. Wheeler. Counting source lines of code SLOC. <http://www.dwheeler.com/sloc/>.
- [26] G. Wurster, P. van Oorschot, and A. Somayaji. A generic attack on checksumming-based software tamper resistance. In *Proceedings of IEEE Symposium on Security and Privacy*, May 2005.