



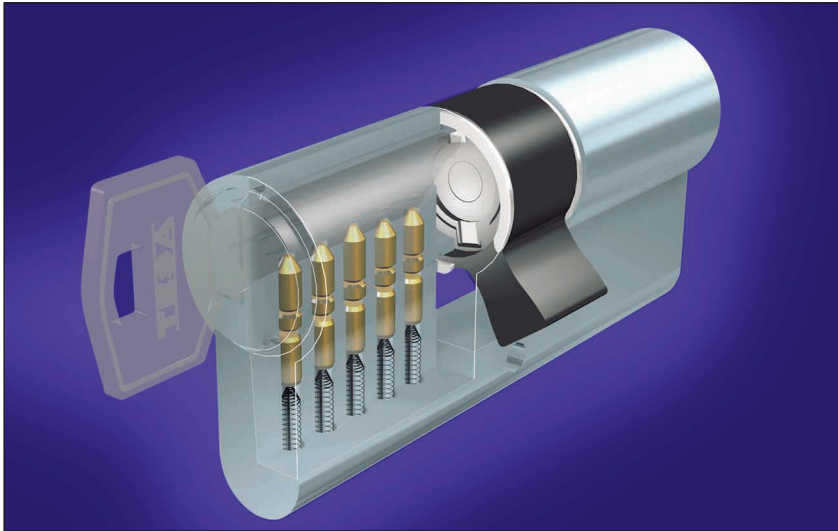
Brass Cylinders

A member of the Yale Security Group



FIRST RANGE

TE 5



Description

- 5 spring loaded, anti-pick pins
- Dual profile cylinders, single profile cylinders and profile cylinders with knob available.
- Other profiles see page 10
- European quality and manufactured to DIN 18.254 class 1 and TÜV certified
- Cylinders are supplied with 3 keys and fixing screw (M5 x 60)
- Finishes: Brass and Nickel plated

Range

- Dual profile cylinders

L	A	B	L	A	B
60	30	30	65	30	35
70	30	40	70	35	35
75	30	45	75	35	40
80	30	50	80	35	45
80	40	40	85	35	50
90	30	60	90	35	55
90	40	50	90	45	45
100	30	70	100	40	60
100	50	50	110	30	80
110	40	70	110	50	60
120	30	90	120	40	80
120	60	60	130	30	100
130	40	90	140	40	100

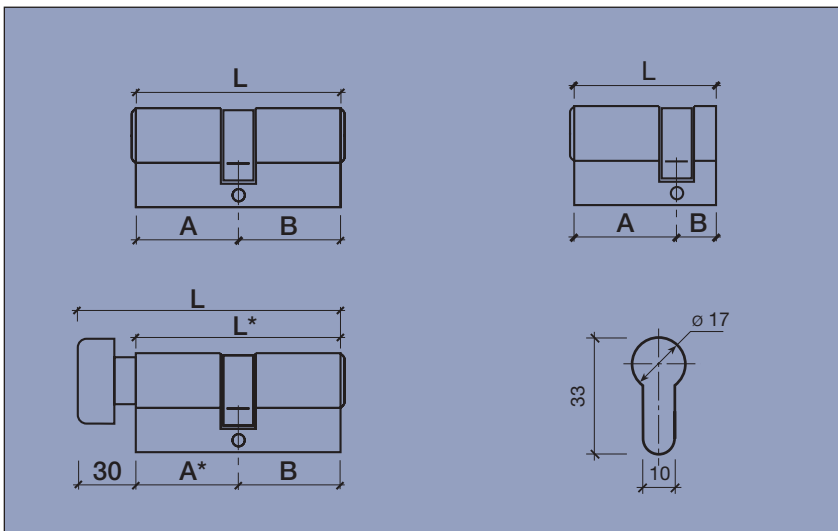
- Single profile cylinders

L	A	B	L	A	B
40	30	10	45	35	10
50	40	10	60	50	10
70	60	10	80	70	10
90	80	10	100	90	10

- Profile cylinders with knob

L*	A*	B	L*	A*	B
60	30	30	65	30	35
70	30	40	70	35	35
70	40	30	80	30	50
80	40	40	90	30	60
90	45	45	100	50	50
110	30	80	120	60	60

Specifications



Technical information

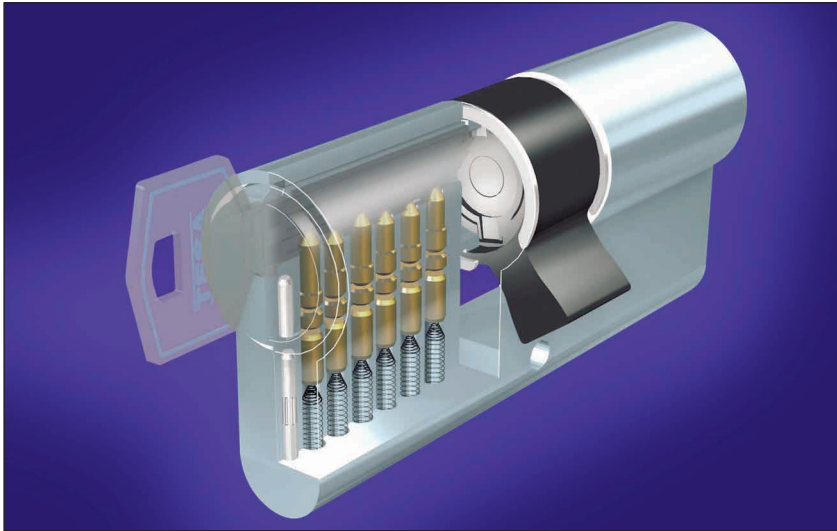
Description	TE-5
Body and plug	Brass
Cam and coupling	Sinterized steel
Clips	Steel
Pins and drivers	Brass
Springs	Stainless steel
Masterkeyable	Yes
Cam angle	0° Standard, 25° Masterkeyed Cylinders
Keys	Nickel plated steel
Shelf boxes (L ≤ 90)	25 pieces
Shelf boxes (90 < L ≤ 135)	15 pieces

Related topics

- Page 10: Cylinder range

FIRST RANGE

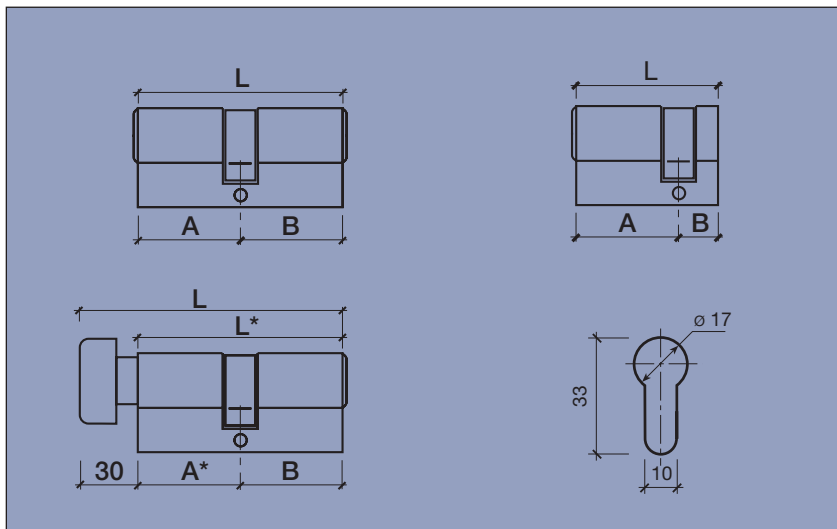
TE 6



Description

- 6 spring loaded, anti-pick pins
- Very large masterkey possibilities due to a Multiprofile system (KT Series)
- Hardened steel, drill resistant inserts in plug and body, optional
- Other profiles see page 10
- European quality and manufactured to DIN 18.254 class 3
- Cylinders are supplied with 3 keys and fixing screw (M5 x 60)
- Standard finishes: Brass and Satin Nickel plated
- Special finishes: Polish Brass, Satin Chrome and Polish Chrome

Specifications



Range

- Dual profile cylinders

L	A	B	L	A	B
60	30	30	65	30	35
70	30	40	70	35	35
75	30	45	75	35	40
80	30	50	80	35	45
80	40	40	85	35	50
90	30	60	90	35	55
90	40	50	90	45	45
100	30	70	100	40	60
100	50	50	110	30	80
110	40	70	110	50	60
120	30	90	120	40	80
120	60	60	130	30	100
130	40	90	140	40	100

Technical information

Description	TE-6
Body and plug	Brass
Cam and coupling	Sinterized steel
Clips	Steel
Pins and drivers	Bronze
Springs	Stainless steel
Masterkeyable	Yes. Multi profile system
Cam angle	25°
Keys	Nickel plated brass
Shelf boxes (L ≤ 90)	25 pieces
Shelf boxes (90 < L ≤ 135)	15 pieces

- Single profile cylinders

L	A	B	L	A	B
40	30	10	45	35	10
50	40	10	60	50	10
70	60	10	80	70	10
90	80	10	100	90	10

- Profile cylinders with knob

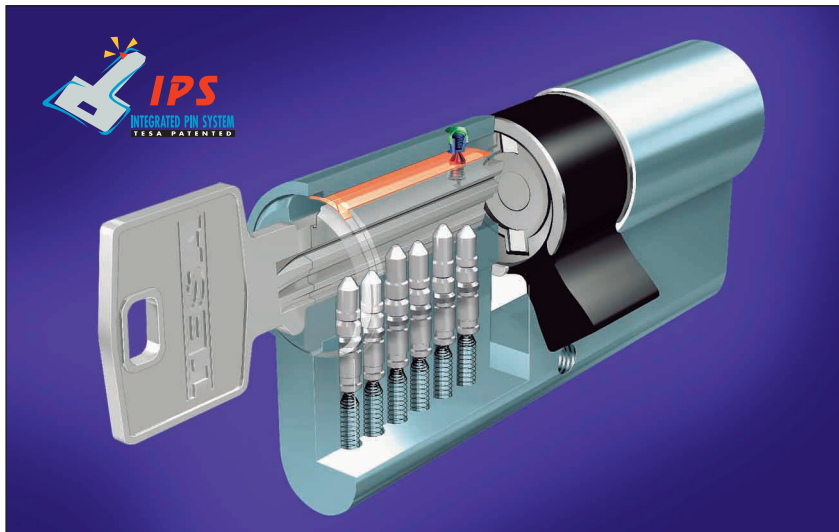
L*	A*	B	L*	A*	B
60	30	30	65	30	35
70	30	40	70	35	35
70	40	30	80	30	50
80	40	40	90	30	60
90	45	45	100	50	50
110	30	80	120	60	60

Related topics

- Page 10: Cylinder range

FIRST RANGE

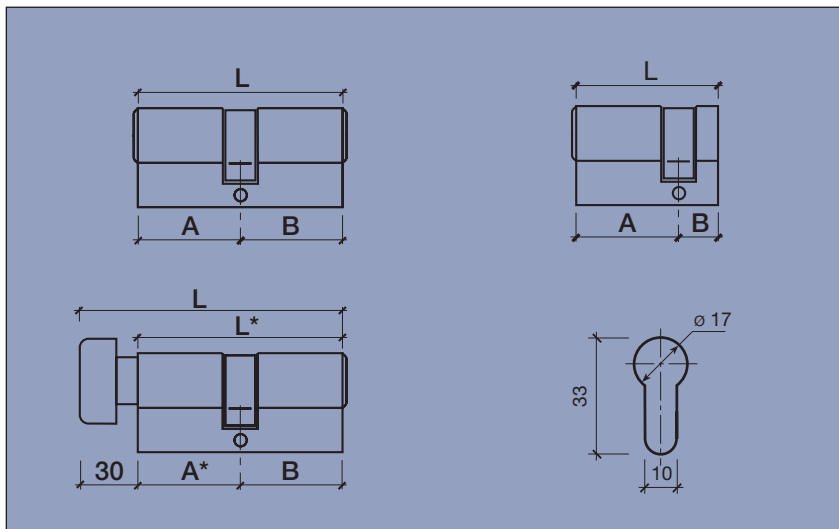
IPS



Description

- Integrated Pin System (IPS)
- Patented IPS System, with totally restricted sawn key
- 6 spring loaded, anti-pick pins, plus the Sensor pin
- Very large masterkey possibilities due to a Multiprofile system
- Customer key profiles available
- European quality and manufactured to DIN 18.254 class 3, DIN certified
- Cylinders are supplied with 3 keys and fixing screw (M5 x 60)
- Finishes: Brass and Satin Nickel plated

Specifications



Range

- Dual profile cylinders

L	A	B	L	A	B
60	30	30	65	30	35
70	30	40	70	35	35
75	30	45	75	35	40
80	30	50	80	35	45
80	40	40	85	35	50
90	30	60	90	35	55
90	40	50	90	45	45
100	30	70	100	40	60
100	50	50	110	30	80
110	40	70	110	50	60
120	30	90	120	40	80
120	60	60	130	30	100
130	40	90	140	40	100

Technical information

Description	IPS
Body and plug	Brass
Cam and coupling	Sinterized steel
Clips	Steel
Pins and drivers	Hardened stainless steel
Springs	Stainless steel
Masterkeyable	Yes. Multi profile system
Customer key profiles	53
Cam angle	25°
Keys	Silver nickered
Shelf boxes	5 pieces

- Single profile cylinders

L	A	B	L	A	B
40	30	10	45	35	10
50	40	10	60	50	10
70	60	10	80	70	10
90	80	10	100	90	10

- Profile cylinders with knob

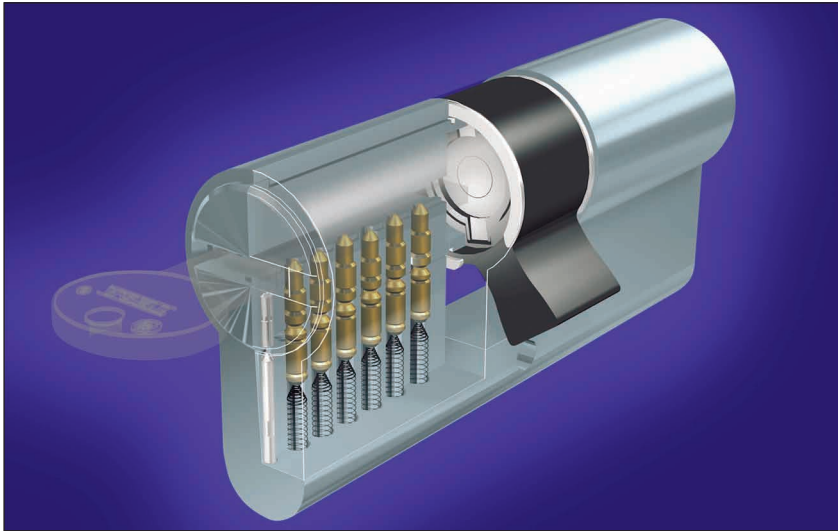
L*	A*	B	L*	A*	B
60	30	30	65	30	35
70	30	40	70	35	35
70	40	30	80	30	50
80	40	40	90	30	60
90	45	45	100	50	50
110	30	80	120	60	60

Related topics

- Page 10: Cylinder range

PREMIUM RANGE

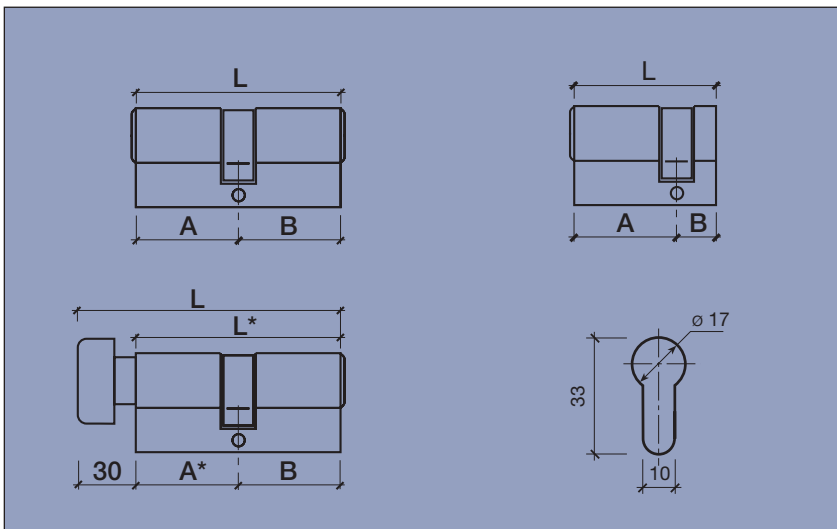
T 60



Description

- 6 spring loaded, anti-pick pins
- Dual profile cylinders, single profile cylinders and profile cylinders with knob available.
- Hardened steel, drill resistant pins in plug and body.
- European quality and manufactured to DIN 18.254 class 2.
- Cylinders are supplied with 3 or 5 keys and fixing screw (M5 x 60).
- Standard finishes: Brass and Satin Nickel plated.
- Special finishes: Polish Brass, Satin Chrome and Polish Chrome.

Specifications



Range

- Dual profile cylinders

L	A	B	L	A	B
60	30	30	65	30	35
70	30	40	70	35	35
75	30	45	75	35	40
80	30	50	80	35	45
80	40	40	85	35	50
90	30	60	90	35	55
90	40	50	90	45	45
100	30	70	100	40	60
100	50	50	110	30	80
110	40	70	110	50	60
120	30	90	120	40	80
120	60	60	130	30	100
130	40	90	140	40	100

Technical information

Description	T-60
Body and plug	Brass
Cam and coupling	Sinterized steel
Clips	Steel
Pins and drivers	Bronze
Springs	Stainless steel
Masterkeyable	Yes
Cam angle	25°
Keys	Nickel plated brass
Shelf boxes (L ≤ 90)	16 pieces
Shelf boxes (90 < L ≤ 135)	15 pieces

- Single profile cylinders

L	A	B	L	A	B
40	30	10	45	35	10
50	40	10	60	50	10
70	60	10	80	70	10
90	80	10	100	90	10

- Profile cylinders with knob

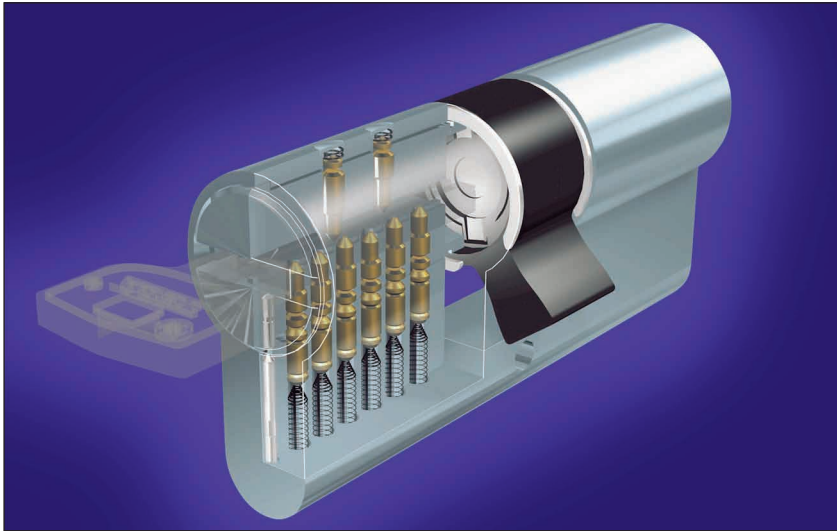
L*	A*	B	L*	A*	B
60	30	30	65	30	35
70	30	40	70	35	35
70	40	30	80	30	50
80	40	40	90	30	60
90	45	45	100	50	50
110	30	80	120	60	60

Related topics

- Page 10: Cylinder range

PREMIUM RANGE

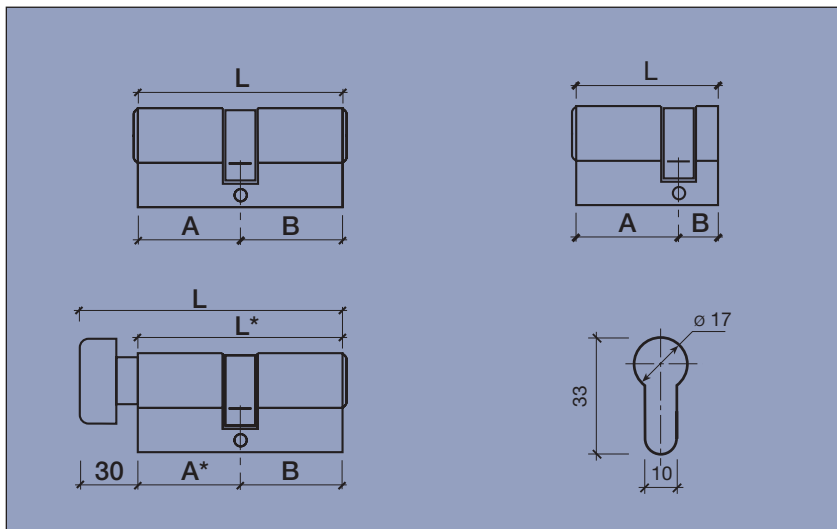
T 80



Description

- 8 spring loaded, anti-pick pins. 6 at the main row plus 2 at the secondary row
- Customer key profiles available
- Hardened steel, drill resistant inserts in plug and body
- European quality and manufactured to DIN 18.254 class 3
- Cylinders are supplied with 3 or 5 keys and fixing screw (M5 x 60)
- Standard finishes: Brass and Satin Nickel plated
- Special finishes: Polish Brass, Satin Chrome and Polish Chrome

Specifications



Range

- Dual profile cylinders

L	A	B	L	A	B
60	30	30	65	30	35
70	30	40	70	35	35
75	30	45	75	35	40
80	30	50	80	35	45
80	40	40	85	35	50
90	30	60	90	35	55
90	40	50	90	45	45
100	30	70	100	40	60
100	50	50	110	30	80
110	40	70	110	50	60
120	30	90	120	40	80
120	60	60	130	30	100
130	40	90	140	40	100

- Single profile cylinders

L	A	B	L	A	B
40	30	10	45	35	10
50	40	10	60	50	10
70	60	10	80	70	10
90	80	10	100	90	10

- Profile cylinders with knob

L*	A*	B	L*	A*	B
60	30	30	65	30	35
70	30	40	70	35	35
70	40	30	80	30	50
80	40	40	90	30	60
90	45	45	100	50	50
110	30	80	120	60	60

Technical information

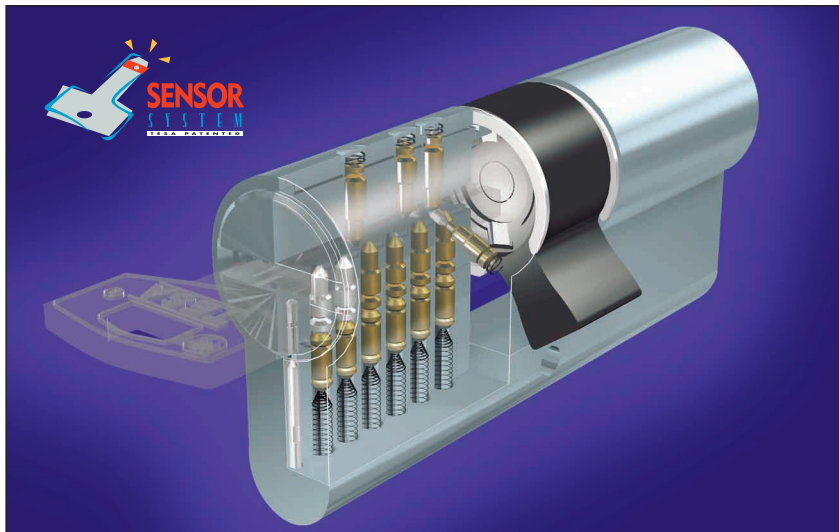
Description	T-80
Body and plug	Brass
Cam and coupling	Sinterized steel
Clips	Steel
Pins and drivers	Bronze
Springs	Stainless steel
Masterkeyable	Yes
Customer key profiles	Yes
Cam angle	25°
Keys	Silver nickel
Shelf boxes (A and B ≤ 50)	10 pieces
Shelf boxes (A or B > 50 and L ≤ 135)	15 pieces

Related topics

- Page 10: Cylinder range

PREMIUM RANGE

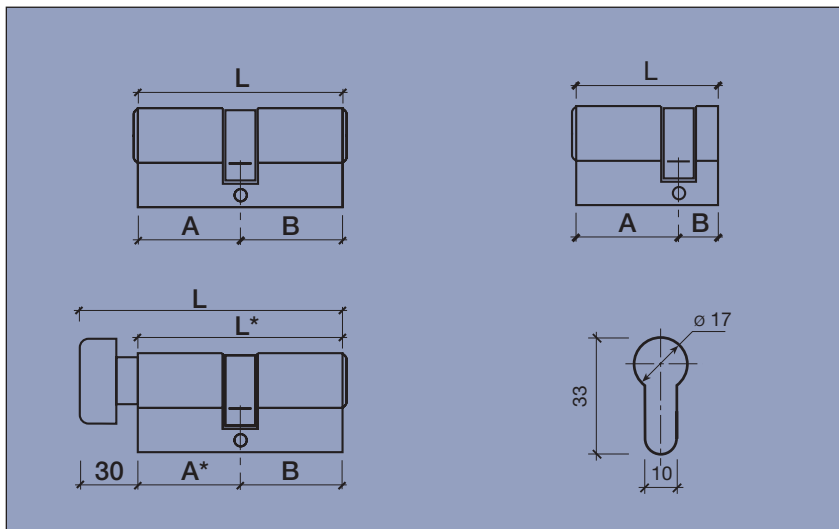
TX 80



Description

- Patented SENSOR System, with totally restricted dimple key
- 10 spring loaded, anti-pick pins. 6 at the main row, 2 at the secondary row plus 2 sensor pins
- Hardened steel, drill resistant inserts in plug and body
- European quality and manufactured to DIN 18.254 class 3
- Cylinders are supplied with 5 keys and fixing screw (M5 x 60)
- Standard finishes: Brass and Satin Nickel plated
- Special finishes: Polish Brass, Satin Chrome and Polish Chrome

Specifications



Range

- Dual profile cylinders

L	A	B	L	A	B
60	30	30	65	30	35
70	30	40	70	35	35
75	30	45	75	35	40
80	30	50	80	35	45
80	40	40	85	35	50
90	30	60	90	35	55
90	40	50	90	45	45
100	30	70	100	40	60
100	50	50	110	30	80
110	40	70	110	50	60
120	30	90	120	40	80
120	60	60	130	30	100
130	40	90	140	40	100

Technical information

Description	TX-80
Body and plug	Brass
Cam and coupling	Sinterized steel
Clips	Steel
Pins and drivers	Bronze
Springs	Stainless steel
Masterkeyable	Yes
Customer key profiles	Yes
Cam angle	25°
Keys	Silver nickel
Emergency key override function	Yes
Shelf boxes (L ≤ 135)	5 pieces

- Single profile cylinders

L	A	B	L	A	B
40	30	10	45	35	10
50	40	10	60	50	10
70	60	10	80	70	10
90	80	10	100	90	10

- Profile cylinders with knob

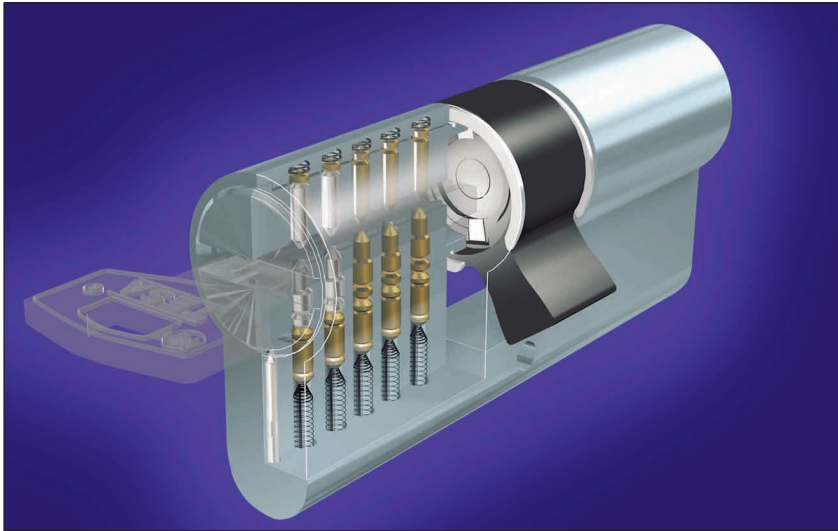
L*	A*	B	L*	A*	B
60	30	30	65	30	35
70	30	40	70	35	35
70	40	30	80	30	50
80	40	40	90	30	60
90	45	45	100	50	50
110	30	80	120	60	60

Related topics

- Page 10: Cylinder range

GOLD RANGE

T 10



Description

- 10 spring loaded, anti-pick pins. 5 at the main row plus 5 at the secondary row
- Hardened steel, drill resistant insert in body
- Cylinders are supplied with 5 keys and fixing screw (M5 x 60)
- Standard finishes: Brass and Satin Nickel plated

Range

- Dual profile cylinders

L	A	B	L	A	B
60	30	30	65	30	35
70	30	40	70	35	35
80	30	50	80	40	40
90	30	60	90	40	50
90	45	45	100	30	70
100	40	60	100	50	50
110	30	80	110	40	70
110	50	60	120	40	80
120	60	60	130	30	100
130	40	90	140	40	100

- Single profile cylinders

L	A	B	L	A	B
40	30	10	45	35	10
50	40	10	60	50	10
70	60	10	80	70	10
90	80	10	100	90	10

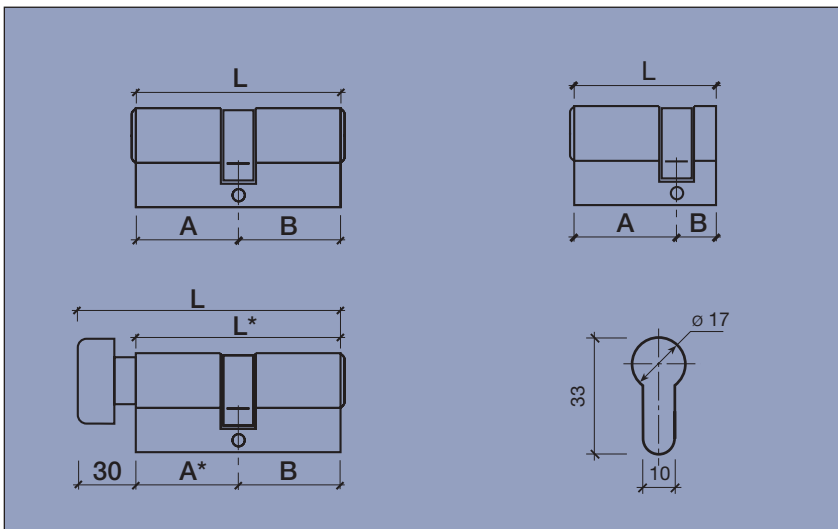
- Profile cylinders with knob

L*	A*	B	L*	A*	B
60	30	30	65	30	35
70	30	40	70	35	35
70	40	30	80	30	50
80	40	40	90	30	60
90	45	45	100	50	50
110	30	80	120	60	60

Related topics

- Page 10: Cylinder range

Specifications

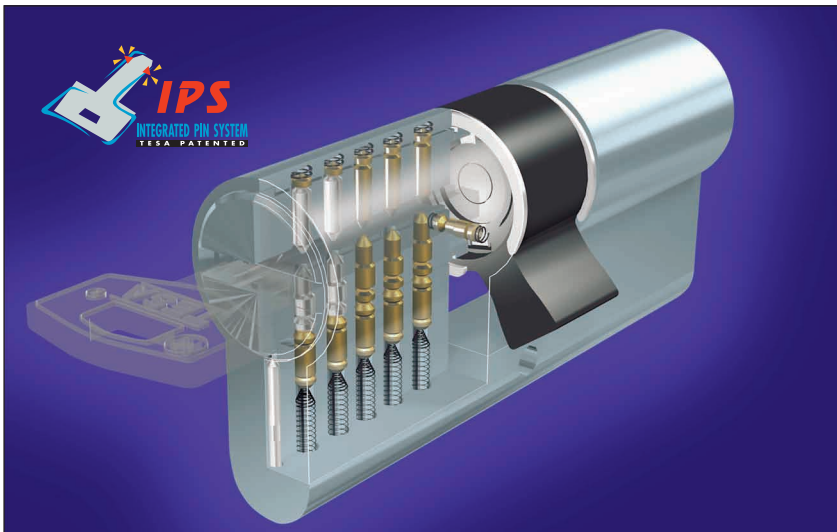


Technical information

Description	T-10
Body and plug	Brass
Cam and coupling	Sinterized steel
Clips	Steel
Pins and drivers	Bronze
Pins at the first two chambers	Hardened steel
Springs	Stainless steel
Masterkeyable	Yes
Cam angle	25°
Keys	Silver nickel
Shelf boxes	10 pieces

GOLD RANGE

T 12



Description

- Patented IPS System, with totally restricted reversible dimple key
- 11 spring loaded, anti-pick pins. 5 at the main row, 5 at the secondary row plus the sensor pin
- Hardened steel, drill resistant insert in body
- Emergency key override function
- Cylinders are supplied with 5 keys and fixing screw (M5 x 60)
- Standard finishes: Brass and Satin Nickel plated

Range

- Dual profile cylinders

L	A	B	L	A	B
60	30	30	65	30	35
70	30	40	70	35	35
80	30	50	80	40	40
90	30	60	90	40	50
90	45	45	100	30	70
100	40	60	100	50	50
110	30	80	110	40	70
110	50	60	120	40	80
120	60	60	130	30	100
130	40	90	140	40	100

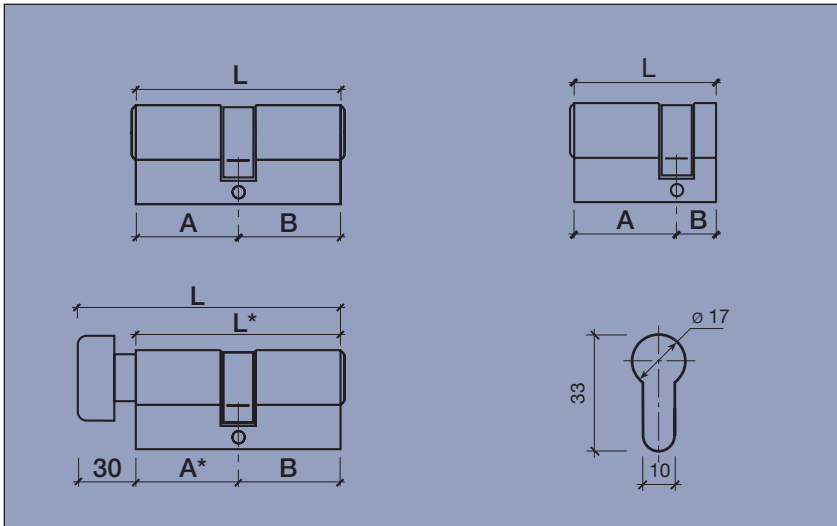
- Single profile cylinders

L	A	B	L	A	B
40	30	10	45	35	10
50	40	10	60	50	10
70	60	10	80	70	10
90	80	10	100	90	10

- Profile cylinders with knob

L	A*	B	L	A*	B
60	30	30	65	30	35
70	30	40	70	35	35
70	40	30	80	30	50
80	40	40	90	30	60
90	45	45	100	50	50
110	30	80	120	60	60

Specifications



Technical information

Description	T-12
Body and plug	Brass
Cam and coupling	Sinterized steel
Clips	Steel
Pins and drivers	Bronze
Pins at the first two chambers	Hardened steel
Springs	Stainless steel
Masterkeyable	Yes
Cam angle	25°
Keys	Silver nicketed
Shelf boxes	10 pieces

Related topics

- Page 10: Cylinder range

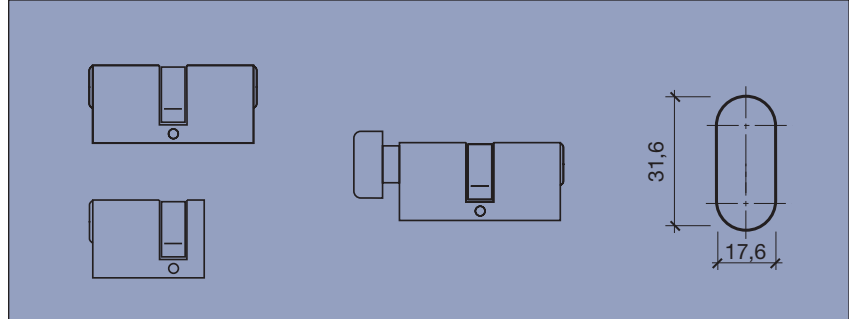
CYLINDER RANGE

PART ONE

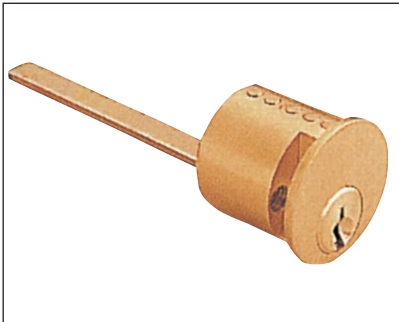
OVAL PROFILE



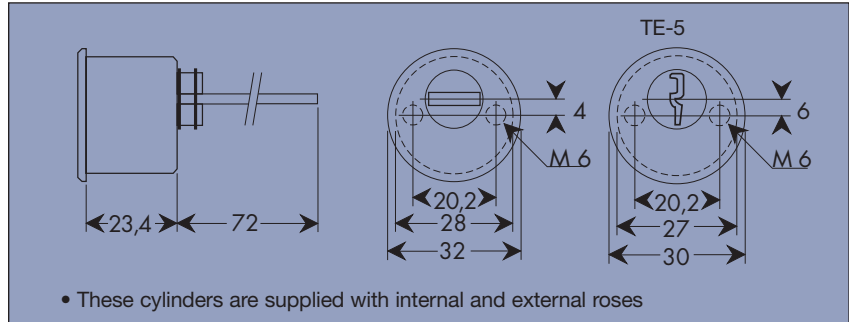
Sketch and Description



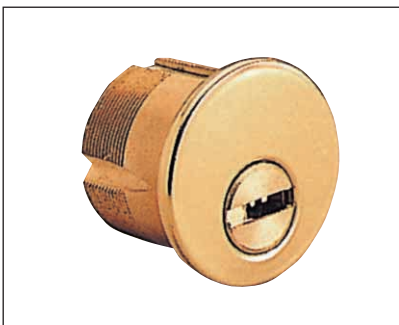
RIM CYLINDER



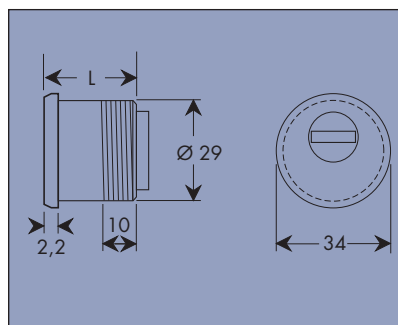
Sketch and Description



SCREW IN CYLINDER



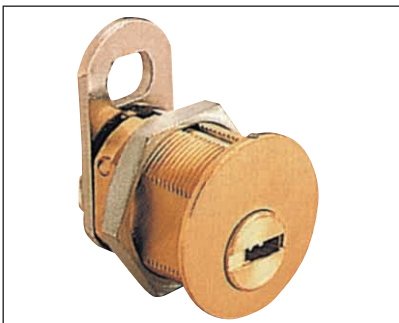
Sketch and Description



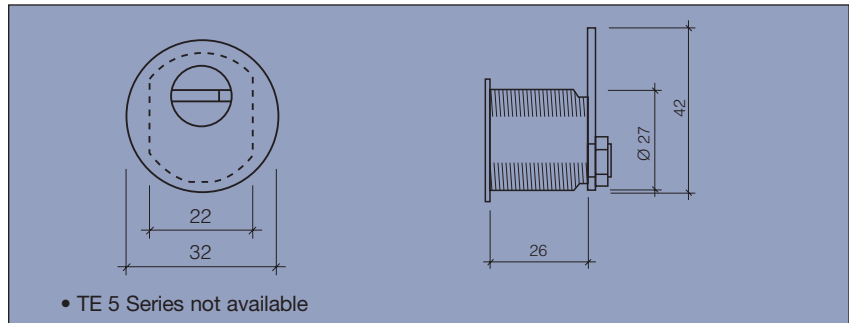
Range:

Cylinder Length: L	
1"	25,4 mm
1 1/8"	28,7 mm
1 1/4"	31,8 mm
1 5/8"	40,2 mm

CAMLOCK CYLINDER



Sketch and Description



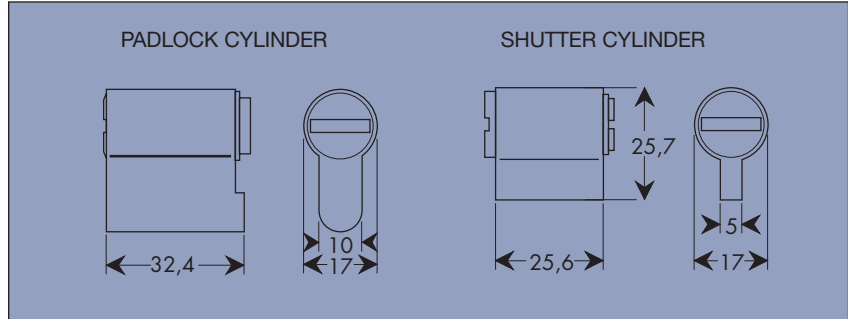
CYLINDER RANGE

PART TWO

PADLOCK /SHUTTER



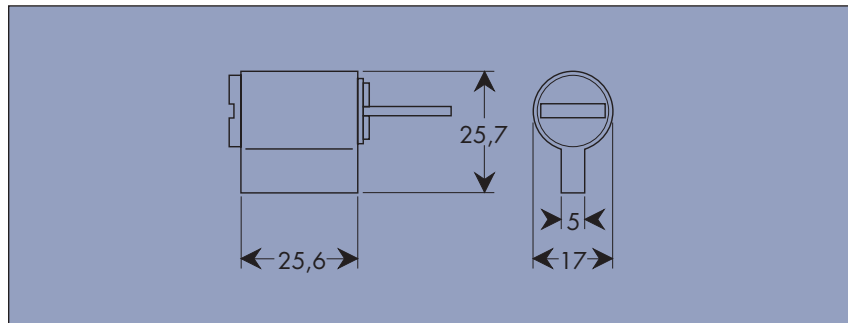
Sketch and Description



KNOB CYLINDER



Sketch and Description



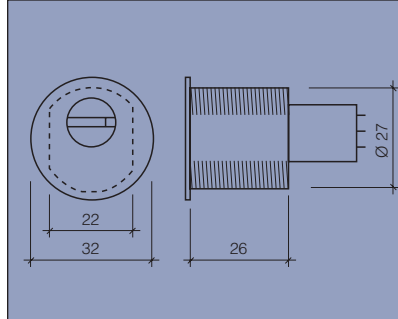
CYLINDER RANGE. ELECTRIC APPLICATIONS

PART THREE

682



Sketch



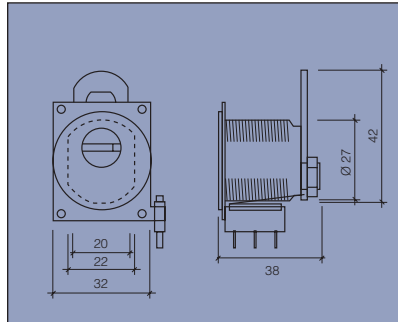
Description

- Cylinder with electric micro switch
- Range
 - 1 Micro switch
 - 2 Micro switches
 - 1 Micro switch and return

683



Sketch



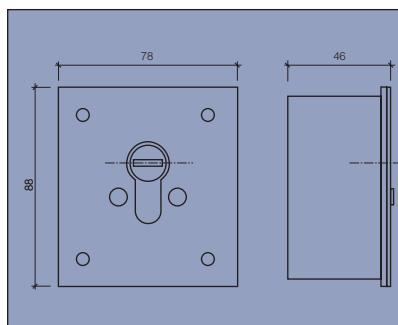
Description

- Cylinder with electric micro switch and mounting plate
- Range
 - 1 Micro switch
 - 1 Micro switch and return

686



Sketch



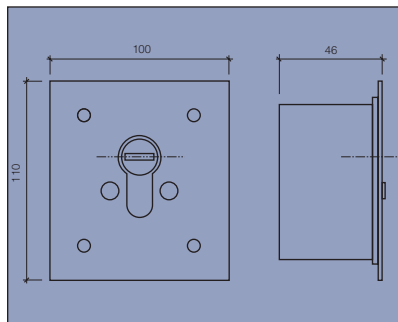
Description

- Cylinder surface mounting unit
- Range
 - 1 Micro switch
 - 1 Micro switch +1 Security micro switch+2 Leeds
 - 2 Micro switches +1 Security micro switch+2 Leeds

687



Sketch



Description

- Cylinder flush mounting unit
- Range
 - 1 Micro switch
 - 1 Micro switch +1 Security micro switch+2 Leeds
 - 2 Micro switches +1 Security micro switch+2 Leeds